

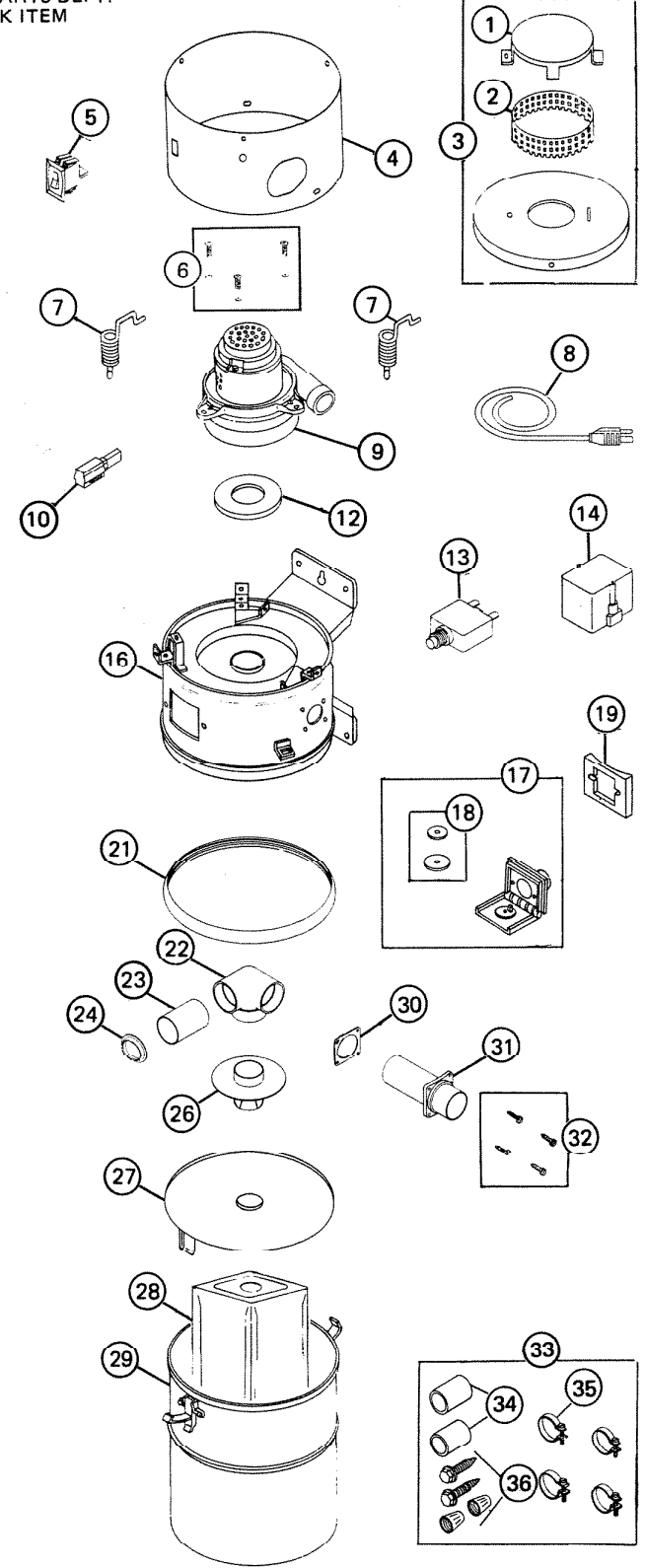
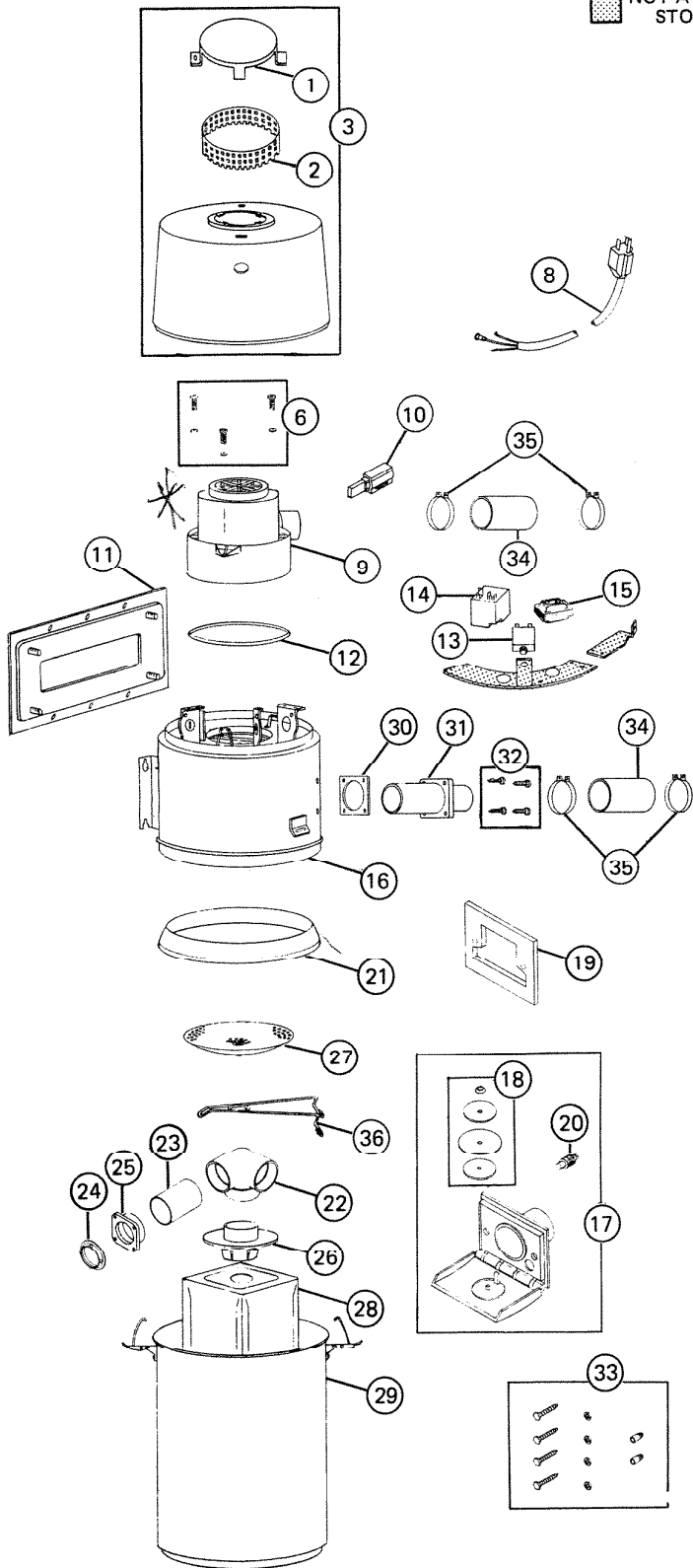
PARTS LIST

EFFECTIVE DATE	MODEL	PRODUCT GROUP
MAY 1989	CV-353 353 REVISED	CENTRAL CLEANING


353

NOT A PARTS DEPT. STOCK ITEM

CV-353



REF	ORIGINAL PART NO.	* PART DESCRIPTION		MODEL USED ON	CURRENT REPLACEMENT PART NO.	
1	68680	COVER CAP		353 CV-353	68680-090	
2	68681	SCREEN		353 CV-353	68681-000	
3	2825A	COVER ASSEMBLY		353	(Void Not Available)	
	1815A			CV-353	1815A-000	
4	99014	WRAP AROUND		CV-353	99014-090	
5	33536	ROCKER SWITCH		CV-353	33536-000	
6	1590A	MOTOR MOUNTING SCREWS		353	1590A-000	
	52884			CV-353	1851A-000	
7	99029	SPRING-MOTOR (1) Early production		CV-353	99029-000	
8	65553	CORD SET ASSEMBLY		353 CV-353	65553-000	
9	68676	MOTOR	Steel Frame	New	353	68676-REB
				Exchange **See Note	CV-353 (Early Version)	68676-EXC
	33883		Plastic Frame *See Note	New	CV-353	33883-REB
				Exchange **See Note		33883-EXC
10	2823A	BRUSH KIT (2)		353	2823A-000	
	8382A			CV-353	1852A-000	
11	63187	WALL ADAPTOR PLATE ASSEMBLY		353	63187-005	
12	67208	"O" RING/MOTOR GASKET	"O" Ring Gasket	353	67208-000	
	99022			CV-353	34839-000	
13	63205	CIRCUIT BREAKER-15 AMP (Replaces all Vac Breakers)		353 CV-353	34709-000	
14	63206	RELAY ASSEMBLY		353	63206-000	
	82904			CV-353	82904-000 44217	
15	64672	TRANSFORMER		353	64672-000	
16	68684	MOTOR HOUSING ASSEMBLY		353	Void Not Available	
	32984			CV-353	32984-090	
17	52009	WALL PLATE ASSEMBLY		353	52009-000	
	33836			CV-353	33836-000	
18	1618A	VALVE SEAL KIT		353	1618A-000	
	1850A			CV-353	1850A-000	
19	68674	GASKET-WALL PLATE		353	68674-000	
	99030			CV-353	99030-000	
20	50878	SWITCH S.P.S.T.		353	50878-000	
21	63086	PAIL GASKET		353	63086-000	
	33477			CV-353	33477-000	
22	68673	THREE-WAY ELL		353 CV-353	68673-000	
23	68672	TUBE		353 CV-353	52322-000	
24	63317	GASKET-INLET	Early Production	353	63317-000	
	52323			353/CV-353	52323-000	
25	67827	FLANGED REDUCER		353	67827-000	
26	67822	BAG ADAPTOR		353 CV-353	67822-000	

REF	ORIGINAL PART NO.	PART DESCRIPTION	MODEL USED ON	CURRENT REPLACEMENT PART NO.
27	64654	SECONDARY FILTER	353	64654-000
	99023		CV-353	44314-000
28	63165	FILTER BAG	353 CV-353	63165-000
29	68974	LOWER PAIL ASSEMBLY	353 CV-353	68974-090
30	63089	GASKET-INTAKE	353 CV-353	63089-000
31	68683	FLANGE & TUBE ASSEMBLY	353 CV-353	68683-000
32	1645A	SCREW w/pal nut kit	353 CV-353	1645A-000
33	63236	HARDWARE BAG ASSEMBLY	353	52730-000
	33541		CV-353	33541-000
34	65960	CONNECTOR (1) 2 required	353 CV-353	65960-000
35	65959	CLAMP (1) 4 required	353 CV-353	65959-000
36	33485	HARDWARE BAG	CV-353	34800-000
		<p>*NOTE: EARLY VERSION OF CV-353 USED A STEEL FRAME MOTOR P/N 68676-REB. THE PLASTIC FRAME MOTOR P/N 33883-REB REPLACES THE STEEL FRAME MOTOR ONLY ON THE CV SERIES.</p> <p>**NOTE: WHEN ORDERING EXCHANGE MOTOR, THE CUSTOMER'S MOTOR MUST BE RETURNED TO THE PARTS DEPT. WITH THE ORDER.</p> <p>CUSTOMER NOTE: MOTOR VENDOR ADVISES TO REPLACE THE MOTOR COMPLETE DUE TO THE DELICATE BALANCING INVOLVED IN REPAIR, AND SHOULD BE DONE AT THE FACTORY.</p>		 <p>NOTE: Always order by current part number.</p>