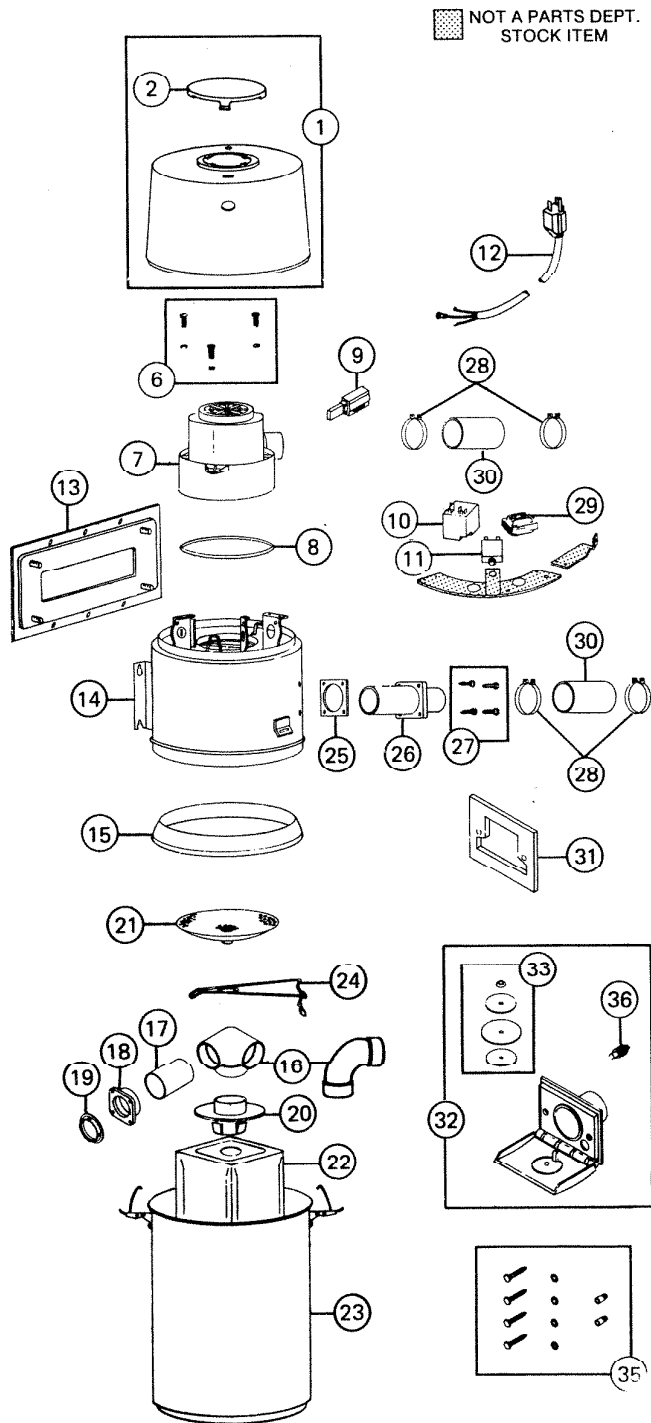


PARTS LIST

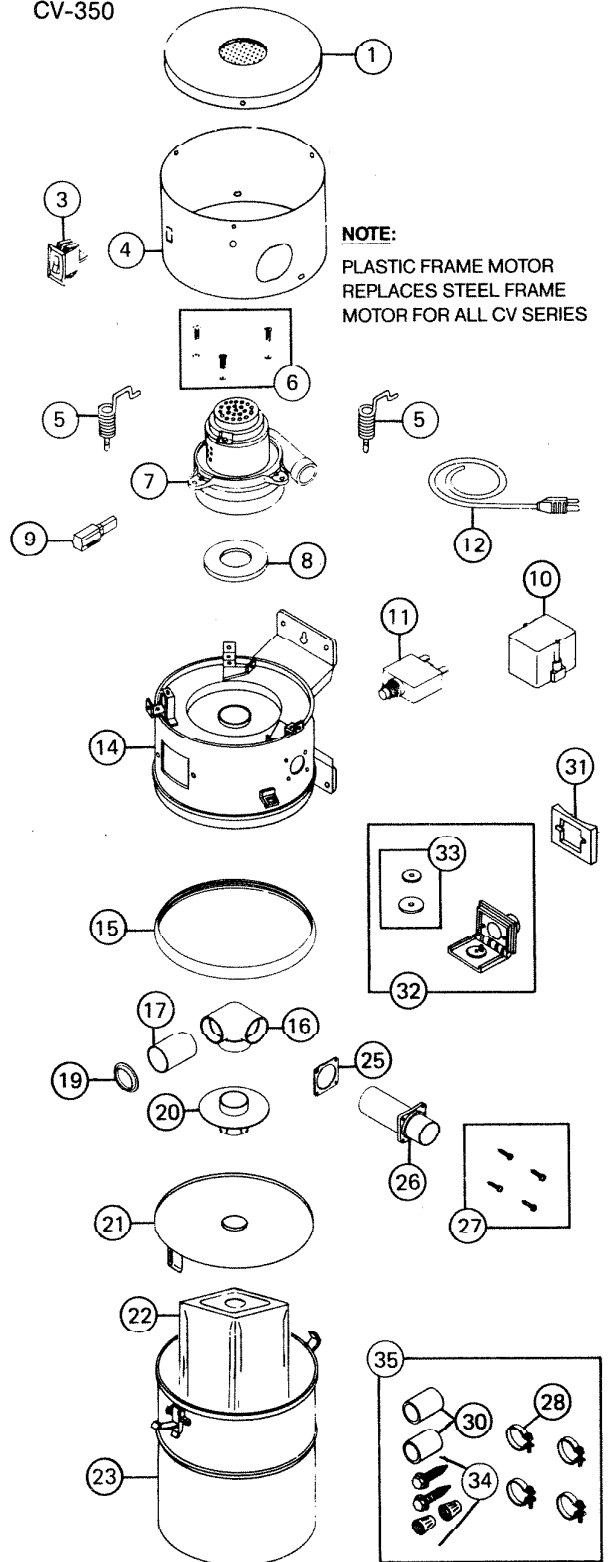
EFFECTIVE DATE	MODEL	PRODUCT GROUP
JAN. 1991	CV-350 350 REVISED	CENTRAL CLEANING SYSTEM

350



NuTone

CV-350



REF.	ORIGINAL PART NO.	*PART DESCRIPTION			MODEL USED ON	CURRENT REPLACEMENT PART NO.
1	2841A	COVER ASSEMBLY			350	2841A-000
	99033				CV-350	99033-090
2	63396	COVER CAP			350	63396-090
3	33536	SWITCH			CV-350	33536-000
4	99015	WRAP AROUND			CV-350	99015-090
5	99029	SPRING—MOTOR (Early Production)			CV-350	99029-000
6	1640A	MOTOR MOUNTING SCREWS			350	1640A-000
	52884				CV-350	1851A-000
7	63127	MOTOR	Steel Frame	New	350CV-350..... (Early Version)	63127-REB
				Exchange **See Note		63127-EXC
	33882		Plastic Frame *See Note	New	CV-350	33882-REB
				Exchange **See Note		33882-EXC
8	67208	"O" RING/GASKET		"O" Ring	350	67208-000
	34839			Gasket	CV-350	30364-000
9	69202	BRUSH KIT (2)		Steel Frame Motor	350	2823A-000
	8382A			Plastic Frame Motor	CV-350	1852A-000
10	63206	RELAY			350	63206-000
	33772				CV-350	0521B-000
11	33629	CIRCUIT BREAKER—18 Amps (Replaces All Vacuum Breakers)			350	1853A-000
	34709				CV-350	
12	65553	POWER CORD ASSEMBLY			350 CV-350	65553-000
13	63187	WALL ADAPTOR PLATE ASSEMBLY			350	63187-005
14	63118	MOTOR HOUSING ASSEMBLY			350	63118-092
	32983				CV-350	32983-090
15	63086	PAIL GASKET			350	63086-000
	33477				CV-350	33477-000
16	67830	ELL		90 Degree	350 (Early Version)	67830-000
	68673			Three Way	350 CV-350	68673-000
17	52322	TUBE			350 CV-350	52322-000

↑

NOTE: Always order by current part number.

REF.	ORIGINAL PART NO.	*PART DESCRIPTION	MODEL USED ON	CURRENT REPLACEMENT PART NO.
18	67827	FLANGED REDUCER	350	67827-000
19	63317	INLET SEAL	350	63317-000
	52323		CV-350	52323-000
20	60297	BAG ADAPTOR	350 CV-350	67822-000
21	64654	SECONDARY FILTER	350	64654-000
	99023		V-350	99023-000
22	63165	FILTER BAG—Package of (3)	350 CV-350	63166-000
23	63130	LOWER PAIL	350 CV-350	68974-090
24	64653	RETAINING SPRING	350	64653-000
25	63089	GASKET	350 CV-350	63089-000
26	68683	MOLDED FLANGE & TUBE ASSEMBLY	350 CV-350	68683-000
27	1645A	SCREW—Palnut Kit (4)	350 CV-350	1645A-000
28	65959	CLAMP (1)	350 CV-350	65959-000
29	64672	TRANSFORMER	350	64672-000
30	63095	COUPLING	350 CV-350	65960-000
31	68674	INLET GASKET	350	68674-000
	99030		CV-350	99030-000
32	52009	WALL PLATE ASSEMBLY	350	52009-000
	33836		CV-350	33836-000
33	1618A	VALVE SEAL KIT	350	1618A-000
	1850A		CV-350	1850A-000
34	33485	HARDWARE BAG	CV 350	34800-000
35	63236	HARDWARE BAG ASSEMBLY	350	52730-000
	33541		CV-350	33541-000
36	50878	SWITCH S.P.S.T.	350	50878-000

*NOTE: Early Version of CV-350 used a steel frame motor P/N 63127-REB.
The plastic frame motor P/N 33882-REB replaces the steel frame motor only on the CV series.

**NOTE: When ordering exchange motor, the customer's motor must be returned to the Parts Dept. with the order.

CUSTOMER NOTE: Motor vendor advises to replace the motor complete due to the delicate balancing involved in repair, and should be done at the factory.

↑

NOTE: Always order by current part number.