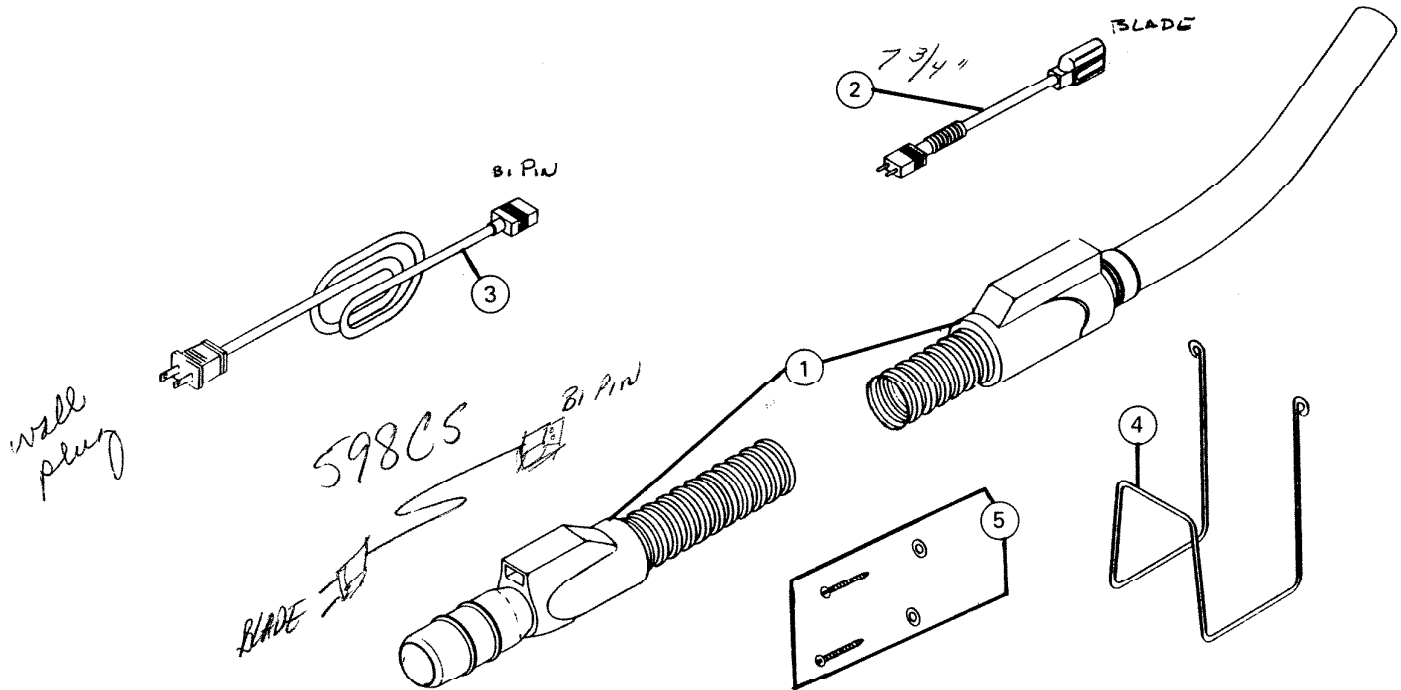


PARTS LIST

EFFECTIVE DATE	MODEL	PRODUCT GROUP
MARCH 1982	348N - 349N NEW	CENTRAL CLEANING



REF.	ORIGINAL PART NO.	* PART DESCRIPTION	MODEL USED ON	CURRENT REPLACEMENT PART NO.	
1	52274	HOSE COMP	23 FT.	348N	52274-000
	52275		32 FT.	349N	52275-000
2	6072A	CORD SET - FEMALE <i>also 549</i>	348N, 349N	6072A-000	
3	6073A	CORD SET - MALE <i>also 549</i>	348N, 349N	6073A-000	
4	63238	HOSE RACK	348N, 349N	63238-015	
5	52732	ENVELOPE ASSY.	348N, 349N	52732-000	

NuTone

Housing Group

Scovill

PRINTED IN U.S.A.

NOTE: Always order by current part number.

PL-348N-349N