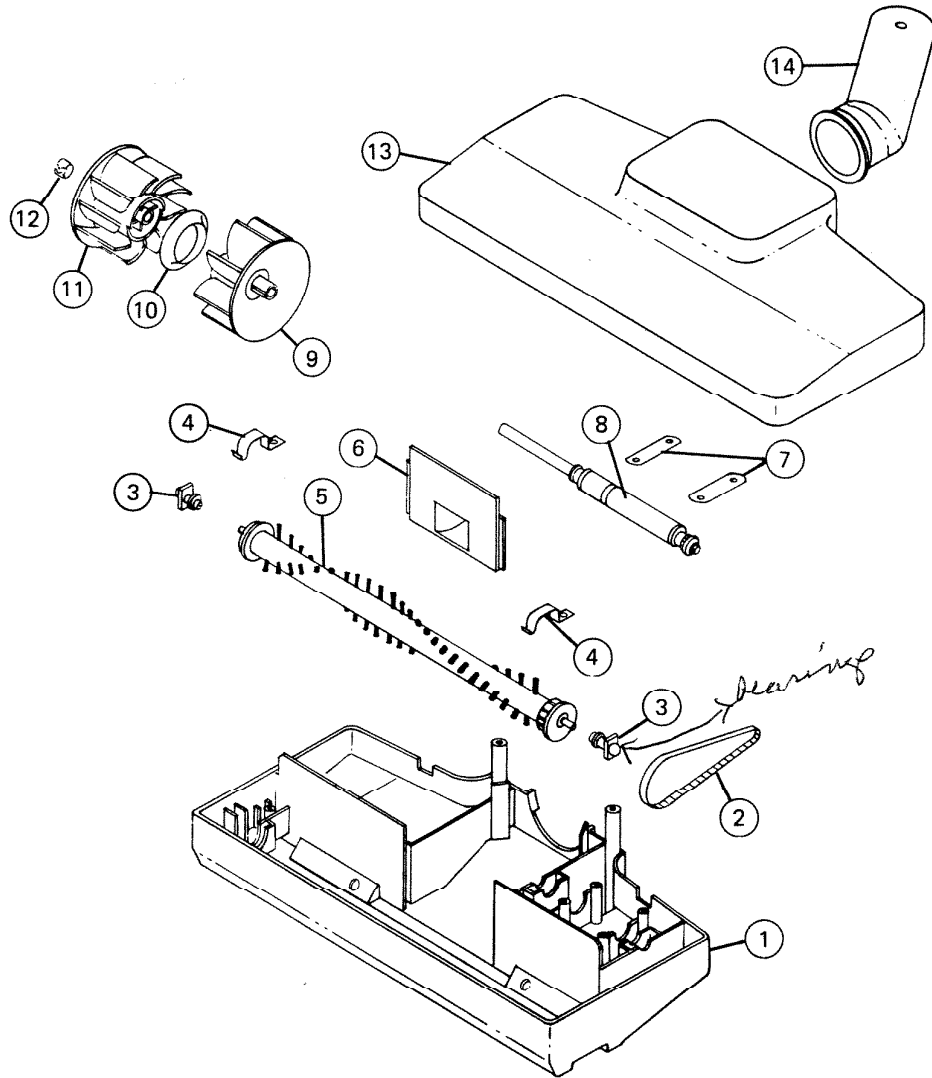


PARTS LIST

EFFECTIVE DATE	MODEL	PRODUCT GROUP
APRIL 1987	342 NEW	CENTRAL CLEANING SYSTEM



*new air brush
model 343
replaces*

REF.	ORIGINAL PART NO.	* PART DESCRIPTION	MODEL USED ON	CURRENT REPLACEMENT PART NO.
1	8462A	LOUVER HOUSING	342	8462A-000
2	8033A	DRIVE BELT	342	8033A-000
3	8471A	BRUSH LOCATOR SET (2)	342	1806A-000
4	8470A	LEAF SPRING SET (2)	342	1805A-000
5	8019A	BRUSH ROLLER ASSEMBLY	342	8019A-000
6	8463A	DECORATOR PLATE	342	8463A-000
		(PLEASE SEE OTHER SIDE)		

NuTone

↑
NOTE: Always order by current part number.

REF	ORIGINAL PART NO	PART DESCRIPTION	MODEL USED ON	CORRECT REPLACEMENT PART NO
7	8468A	CLAMP SET (2)	342	1804A-000
8	8464A	DRIVE SHAFT – COMPLETE	342	8464A-000
9	8466A	RIGHT TURBIN WHEEL	342	8466A-000
10	8467A	RING	342	8467A-000
11	8465A	LEFT TUBINE WHEEL	342	8465A-000
12	8014A	HEX NUT	342	8014A-000
13	8473A	UPPER HOUSING	342	8473A-000
14	8472A	SUCTION SOCKET	342	8472A-000