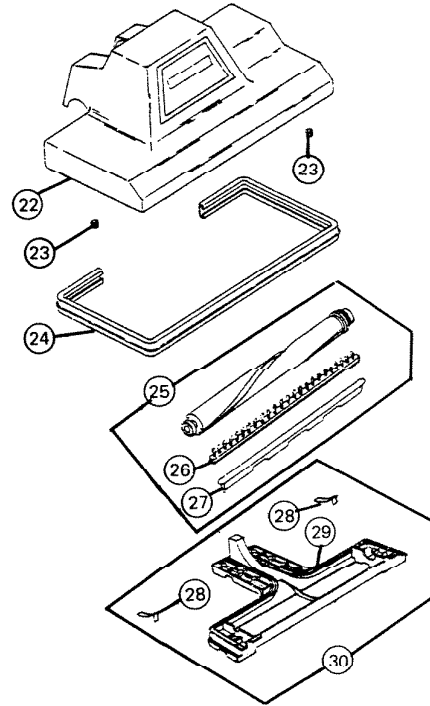
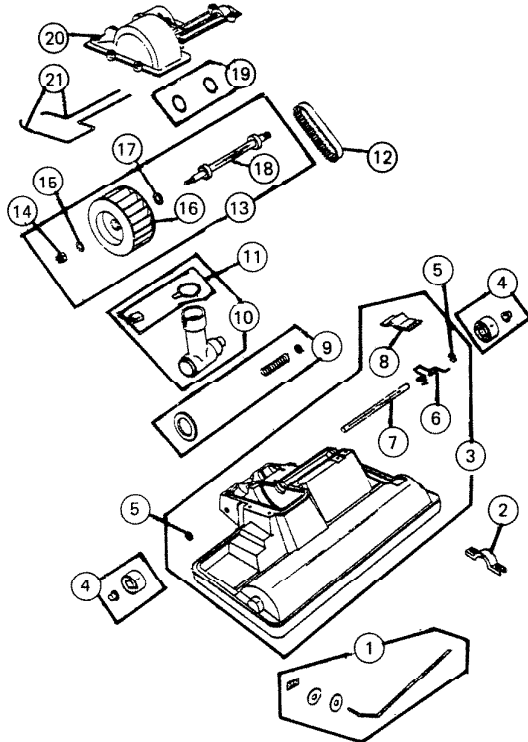


PARTS LIST

EFFECTIVE DATE	MODEL	PRODUCT GROUP
JUNE 1981	341 NEW	CENTRAL CLEANING SYSTEM



REF.	ORIGINAL PART NO.	* PART DESCRIPTION	MODEL USED ON	CURRENT REPLACEMENT PART NO.
1	6053A	BASEPLATE LATCH ASSY.	341	6053A-000
2	6036A	BEARING NEST	341	6036A-000
3	6031A	BASE HOUSING ASSY.	341	6031A-000
4	6040A	WHEEL ASSY.	341	6040A-000
5	6039A	WASHER AXLE	341	6039A-000
6	6056A	SPRING-ELBOW LATCH	341	6056A-000
7	6037A	AXLE	341	6037A-000
8	6038A	ELBOW LATCH	341	6038A-000

NuTone

NOTE: Always order by current part number.

REF.	ORIGINAL PART NO.	* PART DESCRIPTION	MODEL USED ON	CURRENT REPLACEMENT PART NO.
9	6054A	ELBOW SEAL ASSY.	341	6054A-000
10	6055A	ELBOW ASSY.	341	6055A-000
11	6042A	WAND GRIP ASSY.	341	6042A-000
12	6025A	BELT	341	6025A-000
13	6022A	TURBINE ASSY.	341	6022A-000
14	6050A	LOCKNUT	341	6050A-000
15	6051A	WASHER	341	6051A-000
16	6021A	TURBINE WHEEL	341	6021A-000
17	6049A	WASHER	341	6049A-000
18	6023A	DRIVE PULLEY ASSY.	341	6022A-000
19	6024A	"O" RING	341	6024A-000
20	6046A	TURBINE COVER	341	6046A-000
21	6045A	TURBINE COVER GASKET REPAIR KIT	341	6045A-000
22	6041A	TOP COVER ASSY.	341	6041A-000
23	6034A	ONSERT (1)	341	6034A-000
24	6035A	BUMPER	341	6035A-000
25	6026A	BEATER BAR/BRUSH ASSY.	341	6026A-000
26	6028A	BRUSH STRIP	341	6028A-000
27	6027A	BEATER STRIP	341	6027A-000
28	6052A	BRUSH RETAINER SET(2)	341	1593A-000
29	6030A	GASKET	341	6030A-000
30	6029A	BASEPLATE ASSY.	341	6029A-000

NuTone Division
Scovill


NOTE: Always order by
current part number