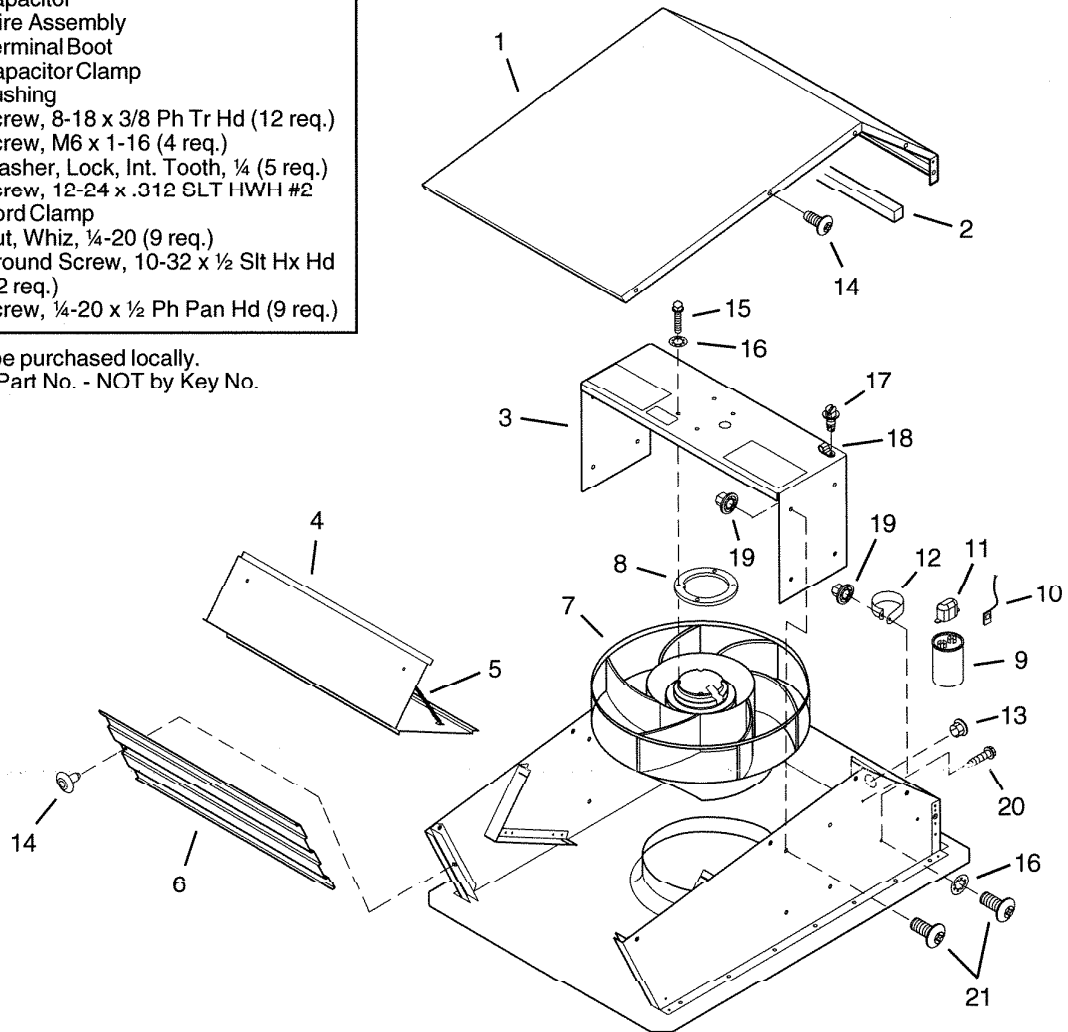


## SERVICE PARTS Model 336

KEY NO.	PART NO.	DESCRIPTION
1	98009538	Cover
2	99100531	Foam Seal
3	98009539	Motor Support
4	98009541	Damper Flap (2 req.)
5	99140145	Damper Spring (2 req.)
6	98009537	Grille
7	99080479	Blower Assembly
8	99710037	Spacer Ring
9	99271203	Capacitor
10	99271221	Wire Assembly
11	99100530	Terminal Boot
12	99390136	Capacitor Clamp
13	99400079	Bushing
14	99150478	Screw, 8-18 x 3/8 Ph Tr Hd (12 req.)
15	99170269	Screw, M6 x 1-16 (4 req.)
16	99250958	Washer, Lock, Int. Tooth, 1/4 (5 req.)
17	99150506	Screw, 12-24 x .312 SLT HWH #2
18	99270461	Cord Clamp
19	99260477	Nut, Whiz, 1/4-20 (9 req.)
20	99150471	Ground Screw, 10-32 x 1/2 Slit Hx Hd (2 req.)
21	99160411	Screw, 1/4-20 x 1/2 Ph Pan Hd (9 req.)

\* Standard Hardware - may be purchased locally.  
Order replacement parts by Part No. - NOT by Key No.



## USE AND CARE

Disconnect electrical power supply and lock out service panel before cleaning or servicing this unit.

### CLEANING

Remove cover and carefully vacuum blower and inside of housing. Be careful not to bend or otherwise damage blower wheel.

### MOTOR LUBRICATION

The motor is permanently lubricated. Do not oil or disassemble motor.

### BROAN-NUTONE ONE YEAR LIMITED WARRANTY

Broan-NuTone warrants to the original consumer purchaser of its products that such products will be free from defects in materials or workmanship for a period of one year from the date of original purchase. THERE ARE NO OTHER WARRANTIES, EXPRESS OR IMPLIED, INCLUDING, BUT NOT LIMITED TO, IMPLIED WARRANTIES OF MERCHANTABILITY OR FITNESS FOR A PARTICULAR PURPOSE.

During this one-year period, Broan-NuTone will, at its option, repair or replace, without charge, any product or part which is found to be defective under normal use and service.

THIS WARRANTY DOES NOT EXTEND TO FLUORESCENT LAMP STARTERS AND TUBES. This warranty does not cover (a) normal maintenance and service or (b) any products or parts which have been subject to misuse, negligence, accident, improper maintenance or repair (other than by Broan NuTone), faulty installation or installation contrary to recommended installation instructions.

The duration of any implied warranty is limited to the one-year period as specified for the express warranty. Some states do not allow limitation on how long an implied warranty lasts, so the above limitation may not apply to you.

BROAN-NUTONE'S OBLIGATION TO REPAIR OR REPLACE, AT BROAN-NUTONE'S OPTION, SHALL BE THE PURCHASER'S SOLE AND EXCLUSIVE REMEDY UNDER THIS WARRANTY. BROAN-NUTONE SHALL NOT BE LIABLE FOR INCIDENTAL, CONSEQUENTIAL OR SPECIAL DAMAGES ARISING OUT OF OR IN CONNECTION WITH PRODUCT USE OR PERFORMANCE. Some states do not allow the exclusion or limitation of incidental or consequential damages, so the above limitation or exclusion may not apply to you.

This warranty gives you specific legal rights, and you may also have other rights, which vary from state to state. This warranty supersedes all prior warranties.

To qualify for warranty service, you must (a) notify Broan-NuTone at the address or telephone number stated below, (b) give the model number and part identification and (c) describe the nature of any defect in the product or part. At the time of requesting warranty service, you must present evidence of the original purchase date.

Broan-NuTone LLC, 926 West State Street, Hartford, WI 53027 (1-800-637-1453)

NuTone, Inc., 4820 Red Bank Road, Cincinnati, OH 45227 (1-800-543-8687)

Broan-NuTone Canada, Inc., 1140 Tristar Drive, Mississauga, Ontario L5T 1H9 (1-888-882-7626)