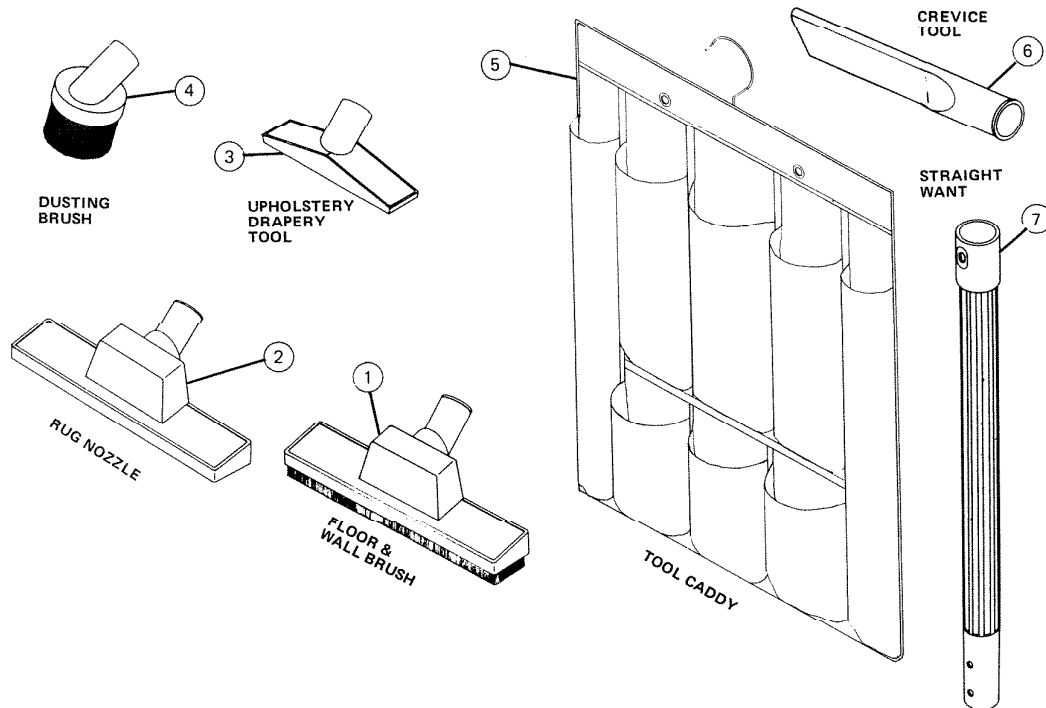


# PARTS LIST

EFFECTIVE DATE	MODEL	PRODUCT GROUP
MARCH 1984	333 NEW	CENTRAL CLEANING



REF.	ORIGINAL PART NO.	* PART DESCRIPTION	MODEL USED ON	CURRENT REPLACEMENT PART NO.
1	54417	FLOOR AND WALL BRUSH	333	54417-000
2	54418	RUG NOZZLE	333	54418-000
3	54427	UPHOLSTERY AND DRAPERY TOOL	333	54427-000
4	54424	DUSTING BRUSH	333	54424-000
5	54415	TOOL CADDY	333	54415-000
6	54419	CREVICE TOOL	333	54419-000
7	54416	STRAIGHT WAND (1)	333	54416-000

**NuTone**

NOTE Always order by current part number