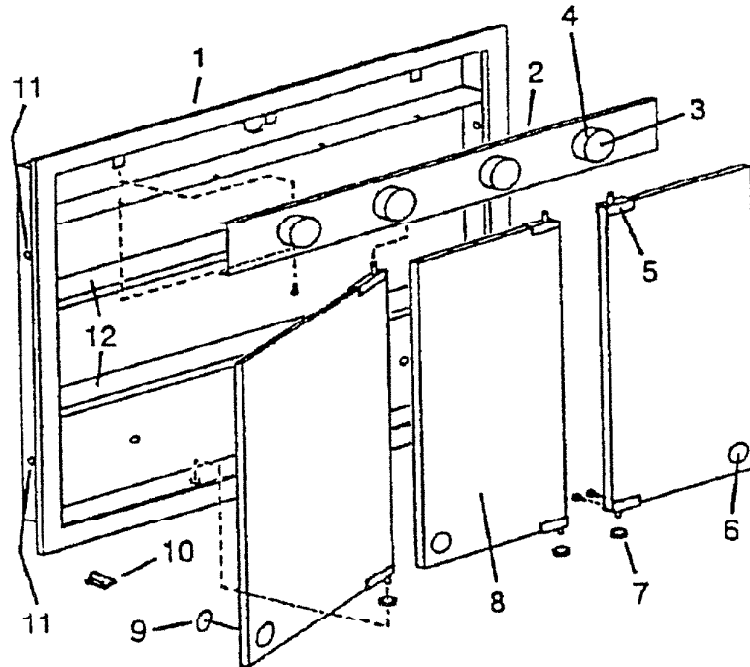


SERVICE PARTS
SPECTRUM SERIES



KEY NO.	DESCRIPTION	PART NUMBER	
		30"	36"
1	Body/Frame Assembly, White	SA97014494	SA97014495
2	Reflector	SA98009189	SA98009194
3	Light Socket Assembly (2 sockets)	SA99271187	SA99271187
	Light Socket Assembly (3 sockets)		SA99271188
4	Chrome Cup	S1034C	S1034C
5	Hinge	S7175	S7175
6	Urethane Disc	S99100527	S99100527
7	Nylon Washer	S7185	S7185
8	Mirror	SA99050196	SA99050197
9	Metallic Disc	S7188	S7188
10	Magnet	S99680015	S99680015
11	Hole Plug	S99110570	S99110570
12	Shelf	SA98009039	SA98009040