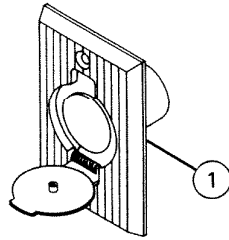
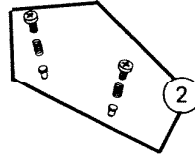
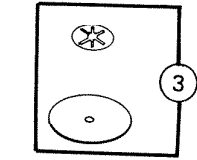
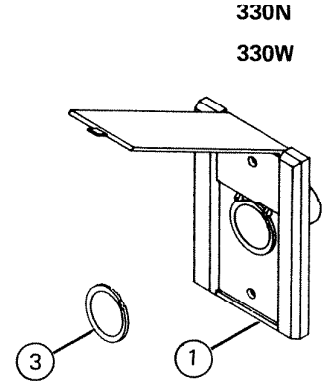


PARTS LIST

EFFECTIVE DATE	MODEL	PRODUCT GROUP
	330 REVISED 330N 330W NEW	
MAY 1989		CENTRAL CLEANING SYSTEM



330



REF.	ORIGINAL PART NO.	*PART DESCRIPTION	MODEL USED ON	CURRENT REPLACEMENT PART NO.
1	1663A	INLET ASSEMBLY COMPLETE	330	1663A-000
	34211		330N	34211-000
	35879		330W	35879-000
2	1664A	CONTACT SET—PINS, SPRINGS, SCREWS	All Models	1664A-000
3	1665A	SEAL GASKET KIT	330	Void Not Available
	8483A		330N, 330W	8483A-000
*	8556A	SCREW PACK—NOT SHOWN— (2) #10 x 2" PH "A" (1) #10 x 1/4" PH "A"	330, 330N	8556A-000
	9104A		330W	9104A-000

NOTE: Always order by current part number.