

EFFECTIVE DATE

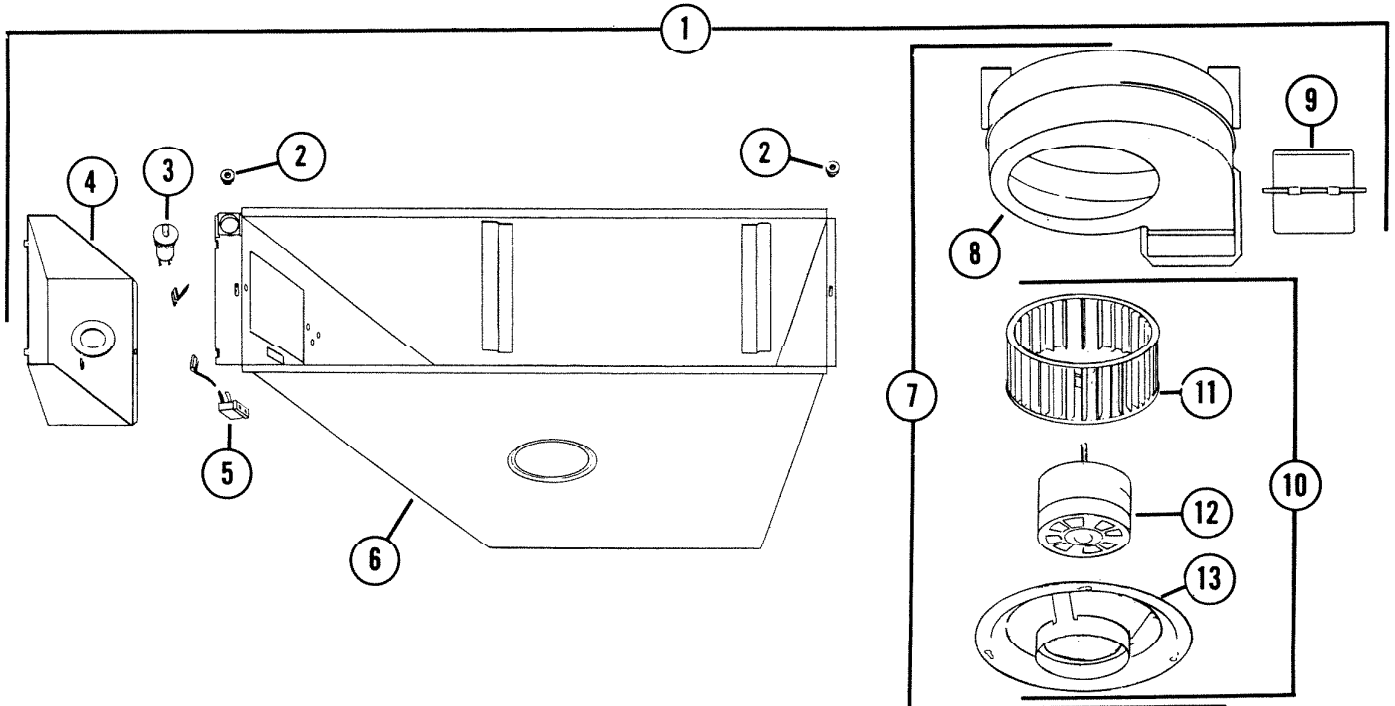
August 1, 1968

NuTone

MODEL

3260

## PARTS LIST



REF.	PART NO.	PART DESCRIPTION
1	18260	"A" Unit Assembly. Ref. No' s. 2 thru 7
2	18267	Mounting Nut (2 required)
3	18269	Pushswitch
4	18271	Outlet Box Assembly
5	17487	Receptacle Assembly
6	18261	Housing Assembly
7	16274	"B" Unit Assembly. Ref. No' s. 8 thru 10
8	16276	Blower Housing Assembly
9	69151	Damper Assembly
10	16287	Power Unit Assembly
11	16296	Blower Wheel
12	26742	Motor 1/4" Shaft. No. on Data Plate AK4138A or AA2C032F
13	16286	Motor Bracket
	16267	Envelope Assembly (Not Shown)

PRICES SUBJECT TO CHANGE WITHOUT NOTICE

Order Parts From: PARTS DEPT. C/O

NuTone