

SERVICE PARTS

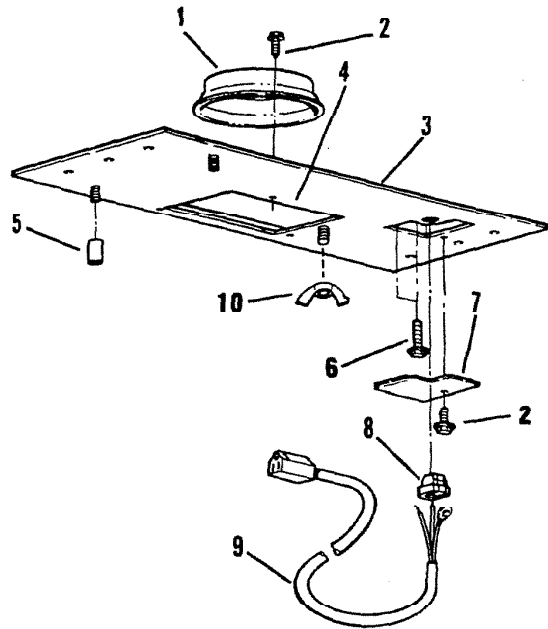


RANGEMASTER™ MODEL 325 SINGLE-WHEEL BLOWER/ROUGH-IN

KEY NO.	PART NUMBER	DESCRIPTION	QTY.
1	97010792	Damper Assembly	1
2	99170245	Screw, #8-18 x 3/8*	4
3	97014276	Rough-in Plate Weldment	1
4	99100387	Polyfoam	
5	99380605	Barrel Nut	2
6	99150471	Screw, #10-32 x 1/2 Hex Washer Head	2
7	98003370	Outlet Box Cover	1
8	99100382	Strain Relief	1
9	99440033	Power Cord	1
10	99260472	Wing Nut	1
‡	97002302	Parts Bag (Contains (6) #10-16 x 1 1/2 Slotted Pan Head Machine Screws*)	1

* Standard Hardware. May be purchased locally.

‡ Not shown.



KEY NO.	PART NUMBER	DESCRIPTION	QTY.
1	99170245	Screw, #8-18 x 3/8 *	6
2	98003365	Mounting Plate	1
3	98008019	Blower Brace	2
4	99260477	Nut, 1/4-20 Flanged Hex *	3
5	97011214	Motor	1
6	99100484	Motor Mount	3
7	97014157	Scroll	1
8	99150536	Screw, 1/4-20 x 5/16 *	3
9	99020145	Blower Wheel	1

* Standard Hardware. May be purchased locally.

