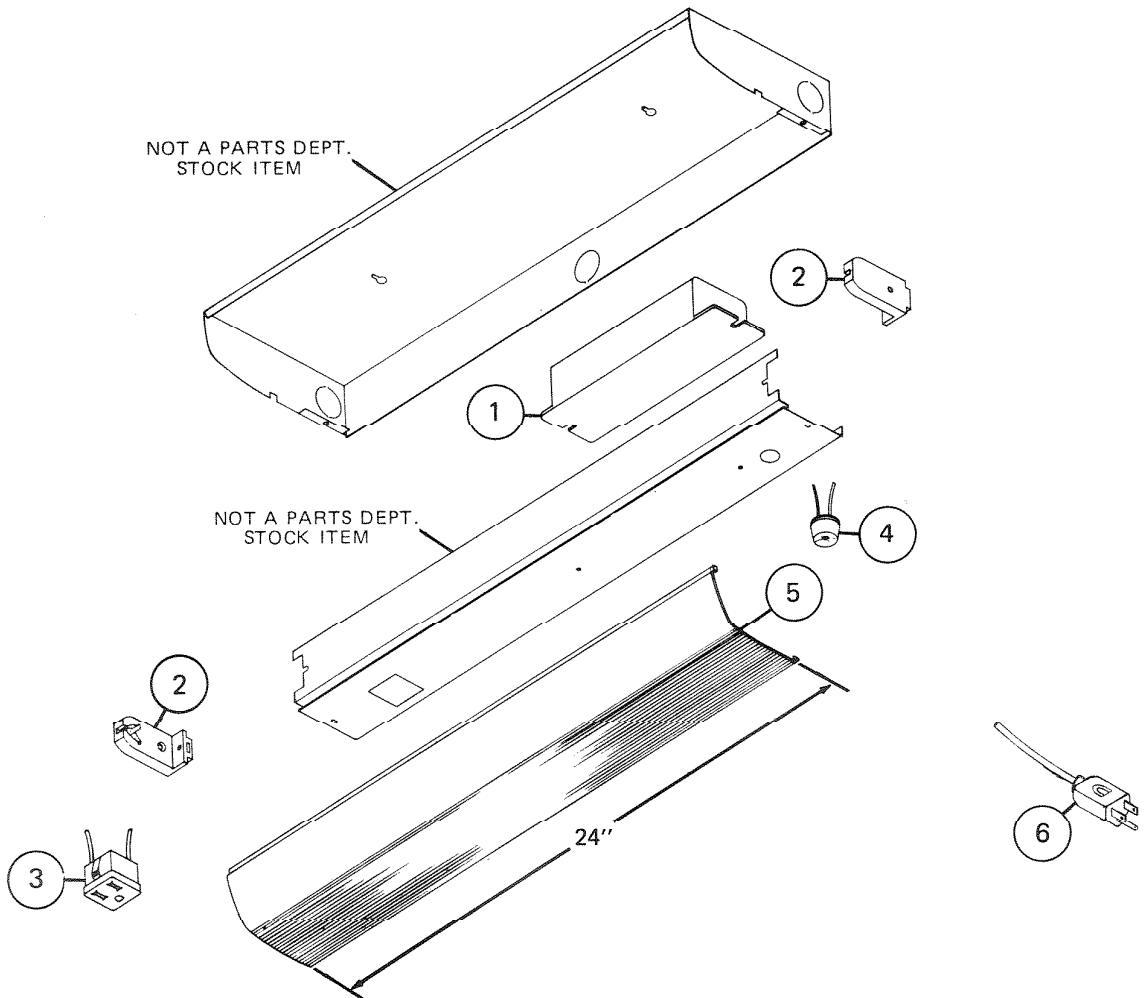


PARTS LIST

EFFECTIVE DATE	MODEL	PRODUCT GROUP
MARCH 1982	324-S, -1S, -2S NEW	STERLING LIGHTING



REF.	ORIGINAL PART NO.	* PART DESCRIPTION	MODEL USED ON	CURRENT REPLACEMENT PART NO.
1	L0572	BALLAST	324-S, -1S, -2S	L0572-000
2	L0508	SOCKET	324-S, -1S, -2S	L0508-000
3	L0528	CONV. OUTLET	324-1S	L0528-000
4	L2680	SWITCH	324-1S, -2S	L2680-000
5	L1384	DIFFUSER - 24"	324-S, -1S, -2S	L1384-000
6	L4861	POWER SUPPLY CORD	324-2S	L4861-000
--	L4840	MOUNTING HARDWARE ASSEMBLY	324-S, -1S, -2S	L4840-000

NuTone

Printed in U.S.A.

NOTE: Always order by current part number.

PL-324-S, -1S, -2S