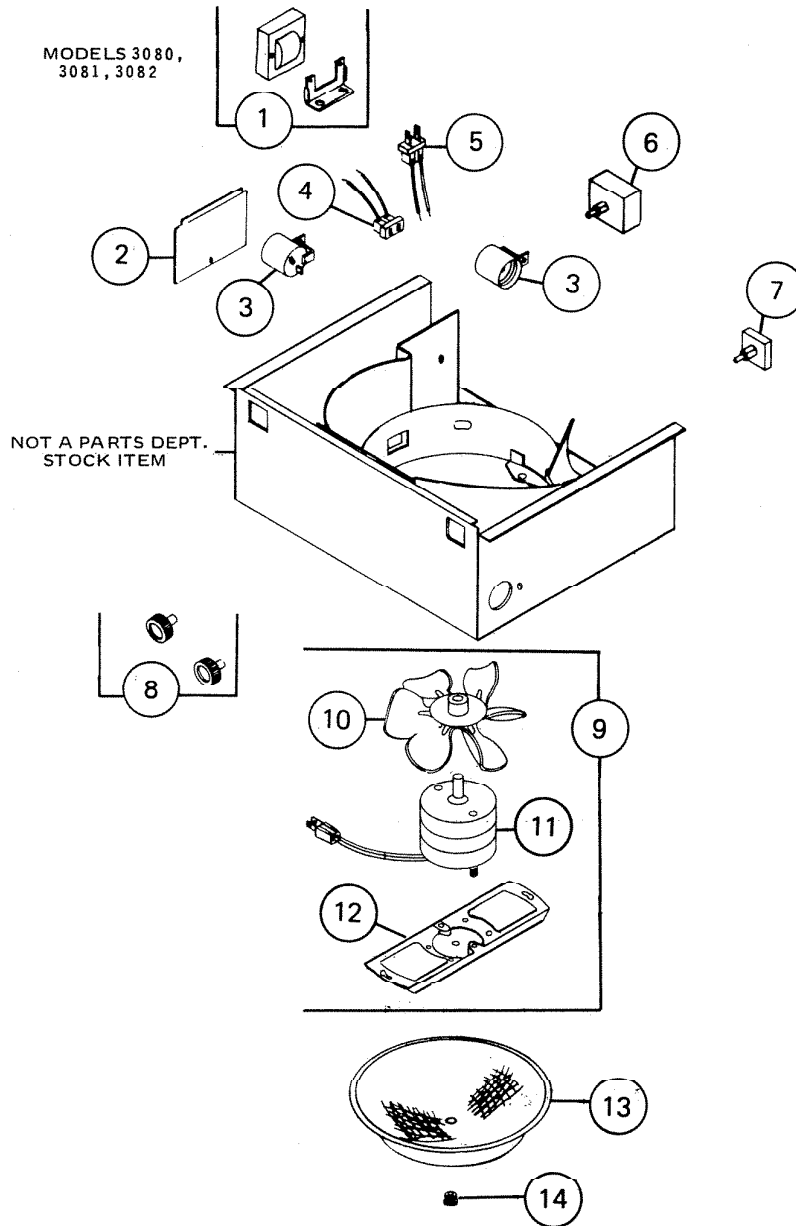


PARTS LIST

EFFECTIVE DATE	MODEL	PRODUCT GROUP
FEBRUARY 1980	3080, 3081, 3082, 3083 REVISED	HOOD



REF.	ORIGINAL PART NO.	* PART DESCRIPTION	MODEL USED ON	CURRENT REPLACEMENT PART NO.
1	21362	CHOKE COIL ASSEMBLY	3080, 3081 3082	21362-000
		(PLEASE SEE OTHER SIDE)		

NuTone

NOTE: Always order by current part number.

PL — 3080-3083

REF.	ORIGINAL PART NO.	* PART DESCRIPTION	MODEL USED ON	CURRENT REPLACEMENT PART NO.
2	17490	INSPECTION COVER	3080, 3081 3082, 3083	VOID – NOT AVAILABLE
3	18775	LAMP SOCKET – 2 REQUIRED	3080, 3081 3082, 3083	18775-000
4	10034	PLUG RECEPTACLE	3080, 3081 3082, 3083	10034-000
5	19326	PLUG	3080, 3081 3082, 3083	69146-000
6	19325	<i>Before 1965 - 17597</i> FAN SPEED SWITCH	3080, 3081 3082	19325-000
	26546		3083	26546-000
7	17482	LIGHT SWITCH	3080, 3081 3082, 3083	17484-000
8	21515	KNOB SET <i>short shaft - 2897A</i>	3080	63923-000
	18723		3081, 3082	
	18724			
	63923		3083	
9	18756	"B" UNIT	3080, 3081 3082, 3083	18756-000
10	11915	FAN BLADE ASSEMBLY	3080, 3083	18760-000
	18760		3081, 3082	
11	26754	MOTOR	3080, 3083	26754-SER
	26738		3081, 3082	26721-SER
	26721			
12	13912	MOTOR BRACKET ASSEMBLY	3080, 3081 3082, 3083	13912-000
13	13915	FILTER ASSEMBLY	3080, 3081 3082, 3083	13915-000
14	14436	THUMB NUT	3080, 3081 3082, 3083	14436-000