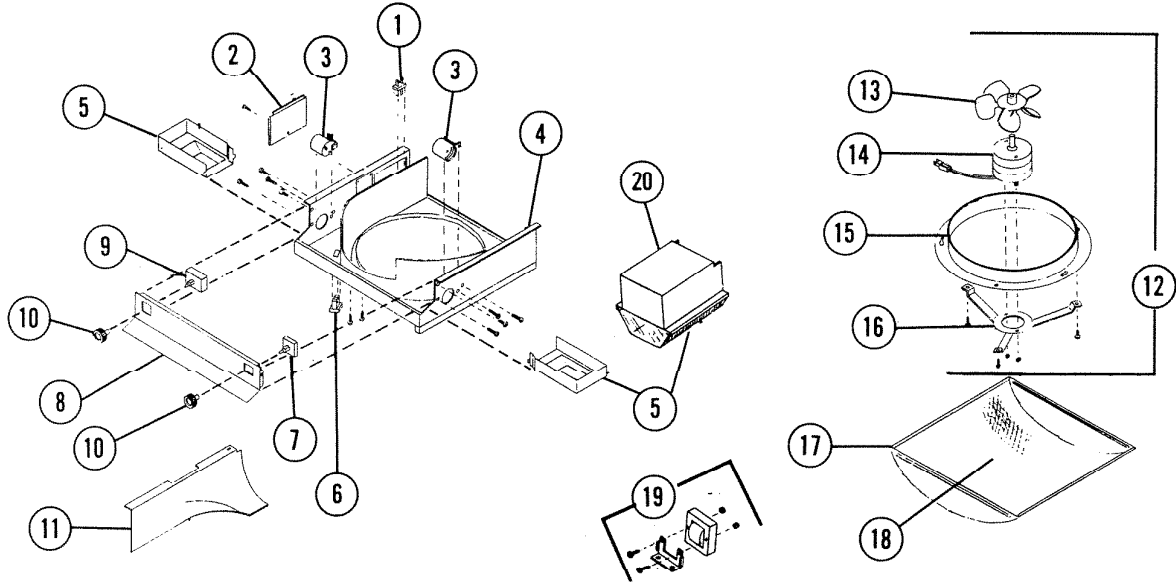


PARTS LIST

MODEL	3060, 3061 3062, 3063	HOOD
EFFECTIVE DATE	REVISED - MAY, 1974	



REF.	ORIGINAL PART NO.	* PART DESCRIPTION	MODEL USED ON	CURRENT REPLACEMENT PART NO.
1	17469	PLUG	3060	69146-000
	19326		3061, 3062 3063	
2	17490	INSPECTION COVER	3060, 3061 3062, 3063	17490-005
3	14979	LAMP SOCKET (1) 2-REQUIRED	3060, 3061 3062, 3063	14979-000
4	09177	HOUSING ASSY.	3060, 3061	69177-005
	17574		3062, 3063	
5	17628	LENS (1) 2-REQUIRED	3060, 3061	17628-000
	27897		GLASS PLASTIC	3062, 3063
6	10034	RECEPTICAL	3060, 3061 3062, 3063	10034-000
7	17482	LIGHT SWITCH	3060, 3061 3062, 3063	17482-000
8	17479	HOUSING FRONT	3061, 3062 3063	17479-005
PLEASE SEE OTHER SIDE				

NuTone

Order Parts From:
Parts Department c/o NuTone
P.O. Box 27 • Cincinnati, Ohio 45227

NOTE: Always order by
current part number.

REF.	ORIGINAL PART NO.	* PART DESCRIPTION	MODEL USED ON	CURRENT REPLACEMENT PART NO.
9	17597	SPEED CONTROL	3060	17597-000
	19325		3061, 3062	19325-000
	26546		3063	26546-000
10	21510	KNOB SET (1-FAN, 1-LIGHT)	3060	63912-000
	17609		3061	
	17610		3062	
	63912		3063	
11	17606	DEFLECTOR	3060, 3061 3062, 3063	17606-005
12	17636	"B" UNIT (MOTOR, BLADE, BELT & RING)	3060, 3061 3062, 3063	17636-000
13	14401	FAN BLADE	3060, 3061	14400-000
	14400		3062, 3063	
14	17006	NO ON DATA PLATE	3060	26735-000
	17006	MOTOR 5/16" SHAFT 18-300, TL-233	3061, 3062	
	26735	JA2R009 N#	3063	
15	14389	LOCKING PLATE	3060, 3061 3062, 3063	14389-000
16	17639	MOTOR BRACKET	3060, 3061 3062, 3063	17639-000
17	17644	FILTER COMP. W/FRAME	3060, 3061 3062, 3063	17644-000
18	17655	FILTER ONLY	3060, 3061 3062, 3063	17655-000
19	21362	CHOKE COIL ASSY.	3060, 3061 3062	21362-000
20	17624	HOUSING - LAMP (2-REQUIRED)	3060, 3061 3062	17624-000