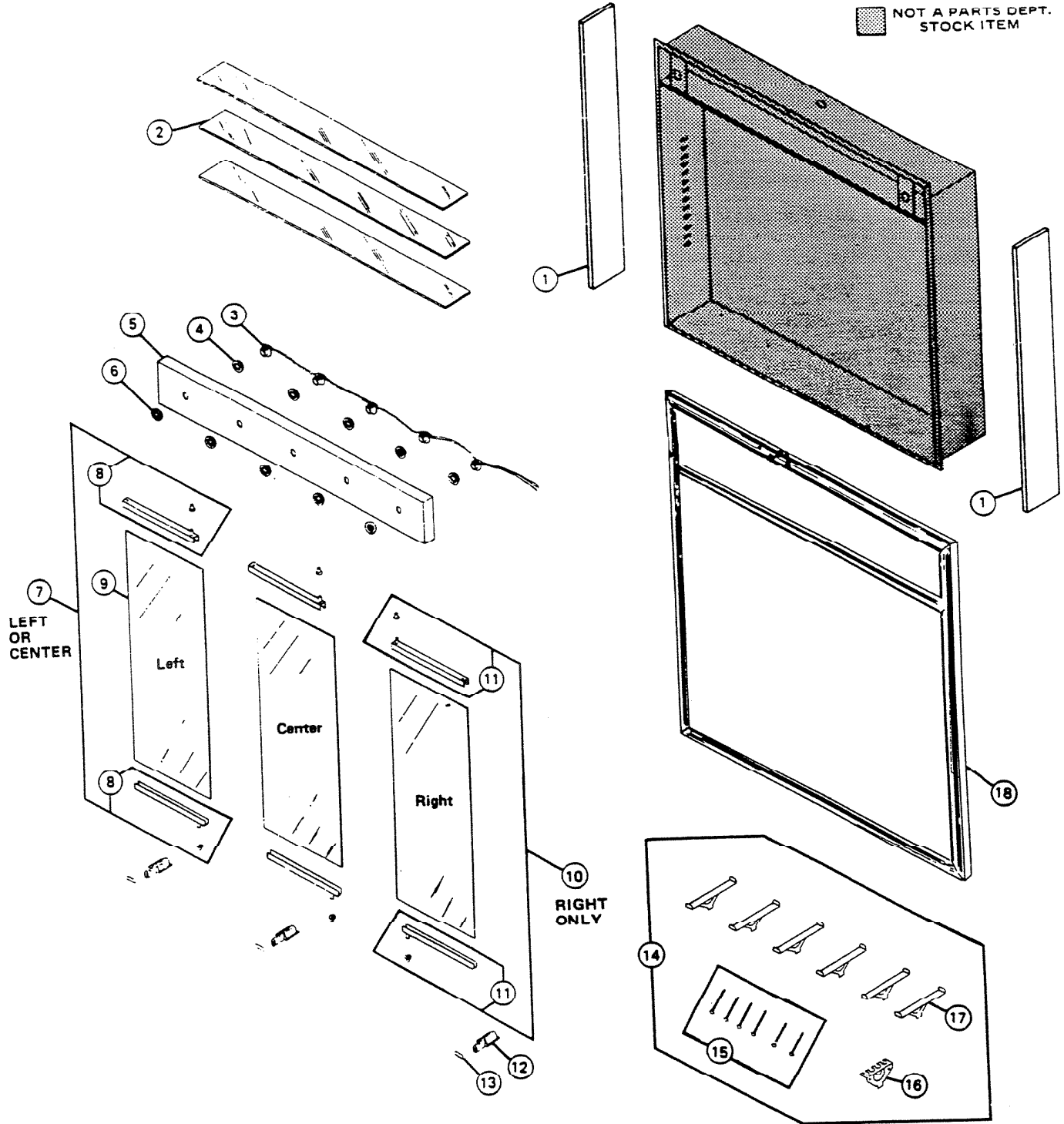



# PARTS LIST

EFFECTIVE DATE	MODEL	PRODUCT GROUP
JUNE 1988	3030PB NEW	BATH CABINET

NOT A PARTS DEPT. STOCK ITEM



REF. NO.	ORIGINAL PART NO.	PART DESCRIPTION		CURRENT REPLACEMENT PART NO.
1	96861	SIDE PANEL ASSEMBLY (1)		96861-000
2	96532	SHELF 3-5/16" x 28-5/8" x 3/16"	SET OF THREE (3)	96532-000
	96524		ONE (1)	96524-000
3	96848	LAMP SOCKET HARNESS		96848-000
4	96825	FLAT RING (1)		96825-000
5	96850	COVER		96850-000
6	96916	RING (1)		96916-000
7	0747A	MIRROR w/HINGE ASSEMBLY (Left or Center)		0747A-000
8	0749A	HINGE ASSEMBLY – Complete (Left or Center)		0749A-000
9	96852	MIRROR (Left, Center, Right) (22-1/2" x 9-3/32" x 3/16")		96852-000
10	0746A	MIRROR w/HINGE ASSEMBLY – (Right Only)		0746A-000
11	0748A	HINGE ASSEMBLY – Complete (Right Only)		0748A-000
12	96045	MAGNETIC TOUCH LATCH (1)		96045-000
13	0744A	STRIKE PLATE (3)		0744A-000
14	90942	HARDWARE SET		90942-000
15	69781	SCREW SET (6)		69781-000
16	92264	TOOTHBRUSH HOLDER		92264-000
17	90589	SHELF SUPPORT (1)		90589-000
18	96842	FRAME ASSEMBLY		96842-019
				 <b>NOTE</b> Always order by current part number