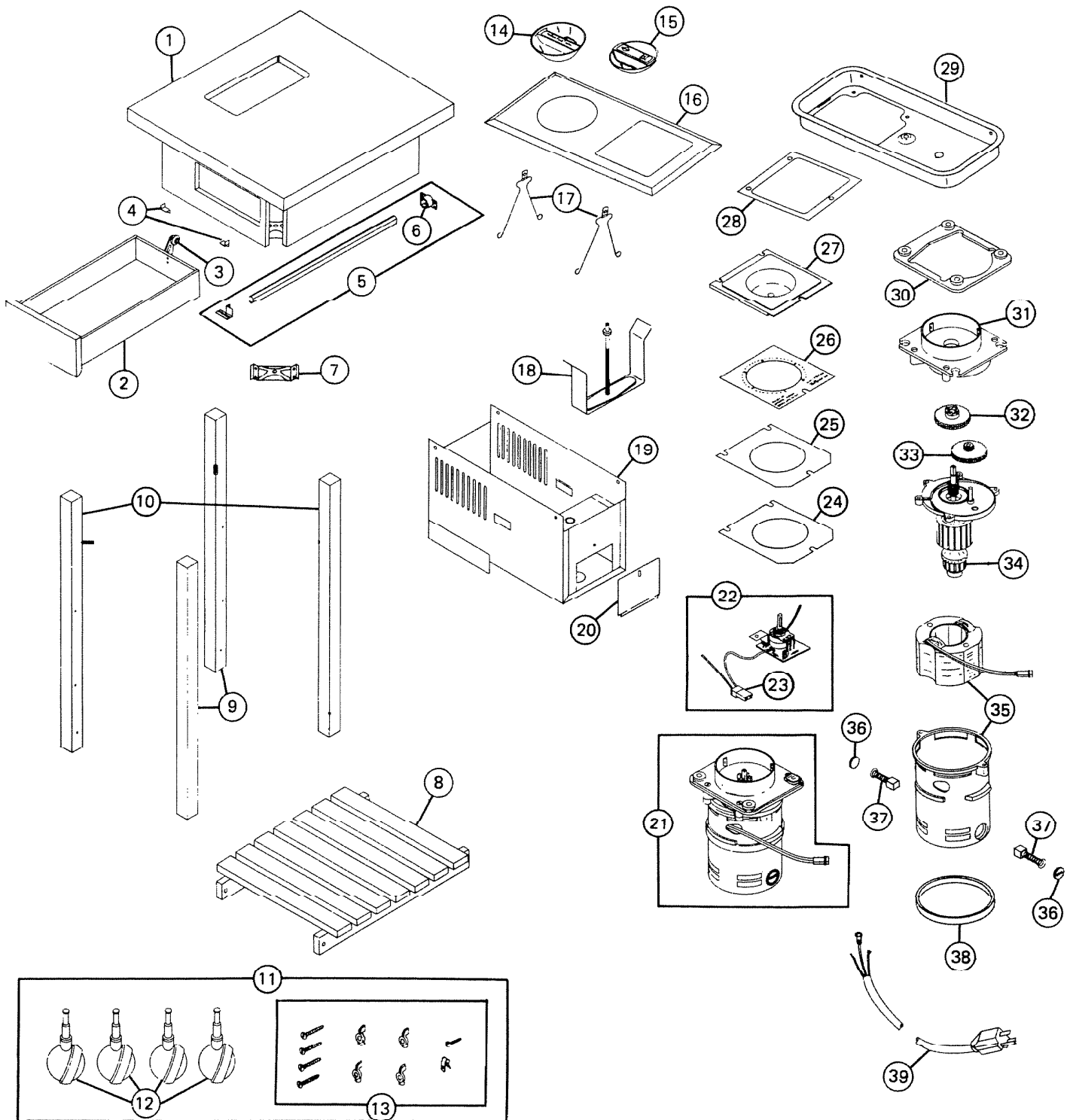


# PARTS LIST

EFFECTIVE DATE	MODEL	PRODUCT GROUP
FEBRUARY 1980	290 NEW	FOOD CENTER



**NuTone Division**  
**Scovill**

(PLEASE SEE OTHER SIDE)

PL - 290

REF	ORIGINAL PART NO	PART DESCRIPTION	MODEL USED ON	CURRENT REPLACEMENT PART NO.
1	55920	TOP UNIT ASSEMBLY TOP, SIDES, NYSLIDE, CORNER BRACE	290	55920-000
2	56056	DRAWER ASSEMBLY	290	56056-000
3	2082A	ROLLER ARM	290	0110V-000
4	0108V	NYSLIDE SET	290	0108V-000
5	0112V	MONORAIL 21"	290	0112V-000
6	0111V	MONORAIL CUP	290	0111V-000
7	55911	CORNER BRACE	290	55911-000
8	55916	SHELF ASSEMBLY	290	55916-A82
9	56058	LEG ASSEMBLY R.F. & L.R.	290	56058-000
10	56057	LEG ASSEMBLY L.F. & R.R.	290	56057-000
11	56059	HARDWARE BAG ASSEMBLY	290	56059-000
12	55915	CASTER (1)	290	55915-000
13	1230A	MTG. HDWE. KIT	290	1230A-000
14	64826	WELL COVER	290	64826-000
15	68918	CONTROL KNOB	290	68918-000
16	1019A	TOP PLATE W/GASKET	290	1019A-000
17	69479	SPRING CLAMP ASSEMBLY (1)	290	69479-000
18	1006A	CLAMP BRACKET ASSEMBLY	290	1006A-000
19	67722	HOUSING ASSEMBLY	290	67722-005
20	17379	OUTLET BOX COVER	290	17379-000
21	67738	MOTOR	290	67738-000
22	1079A	SPEED CONTROL COMP.	290	1079A-000
23	69437	PLUG ASSEMBLY	290	69437-000
24	64821	BACK UP PLATE	290	69821-000
25	64820	PAD	290	64820-000
26	56065	SPEED DATA PLATE	290	56065-000
27	68919	CONTROL KNOB WELL	290	68919-000
		(PLEASE SEE OTHER SIDE)		

REF	ORIGINAL PART NO	PART DESCRIPTION	MODEL USED ON	CURRENT REPLACEMENT PART NO
28	64817	GASKET – SWITCH WELL	290	64817-000
29	67728	MOTOR SUPPORT PLATE ASSEMBLY	290	67728-005
30	67739	MOTOR MTG. GASKET	290	67739-000
31	69477	GEAR BOX HOUSING	290	69477-000
32	69442	GEARED CLUTCH	290	69442-000
33	69441	GEAR ASSEMBLY	290	69441-000
34	1014A	ARMATURE W/BEARING PLATE ASSEMBLY	290	1014A-000
35	1042A	FIELD W/MOTOR HOUSING	290	1042A-000
36	69476	BRUSH CAP SET (2)	290	69476-000
37	1013A	BRUSH SET (2)	290	1013A-000
38	64799	AIR BAFFLE ASSEMBLY	290	64799-000
39	56062	POWER SUPPLY CORD	290	56062-000