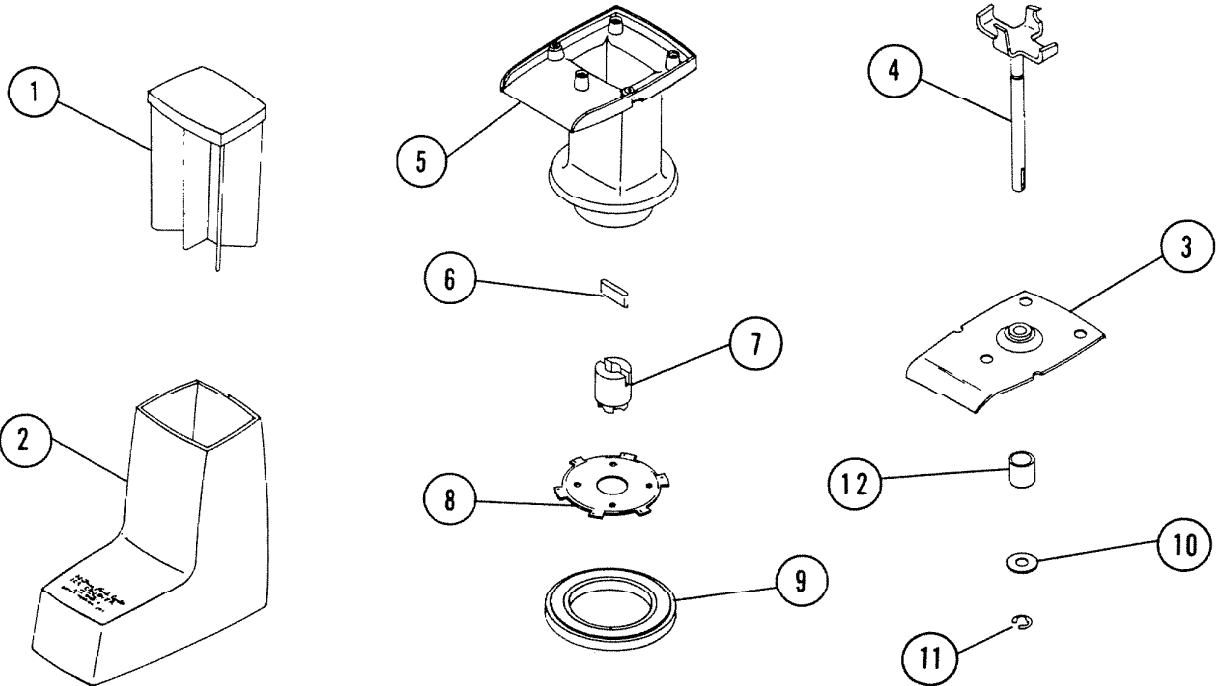


PARTS LIST

EFFECTIVE DATE	MODEL	PRODUCT GROUP
JANUARY 1977	281 NEW	FOOD CENTER



REF.	ORIGINAL PART NO.	* PART DESCRIPTION	MODEL USED ON	CURRENT REPLACEMENT PART NO.
1	66730	Tamper	281	66730-000
2	66729	Housing	281	66729-000
3	66725	Bearing Plate Assy.	281	66725-000
4	66727	Cutter Assy.	281	66727-000
5	66723	Base w/Bearing	281	66723-000
6	64751	Drive Key	281	64751-000
7	64752	Attachment Drive	281	64752-000
8	64716	Support Plate	281	64716-000
9	66724	Seal	281	66724-000
10	26573	Washer	281	26573-000
11	08398	"E" Ring	281	08398-000
12	67206	Spacer	281	67206-000

NuTone Division
Scovill

Order Parts From:
 Parts Department c/o NuTone
 P.O. Box 27 • Cincinnati, Ohio 45227

NOTE: Always order by current part number.