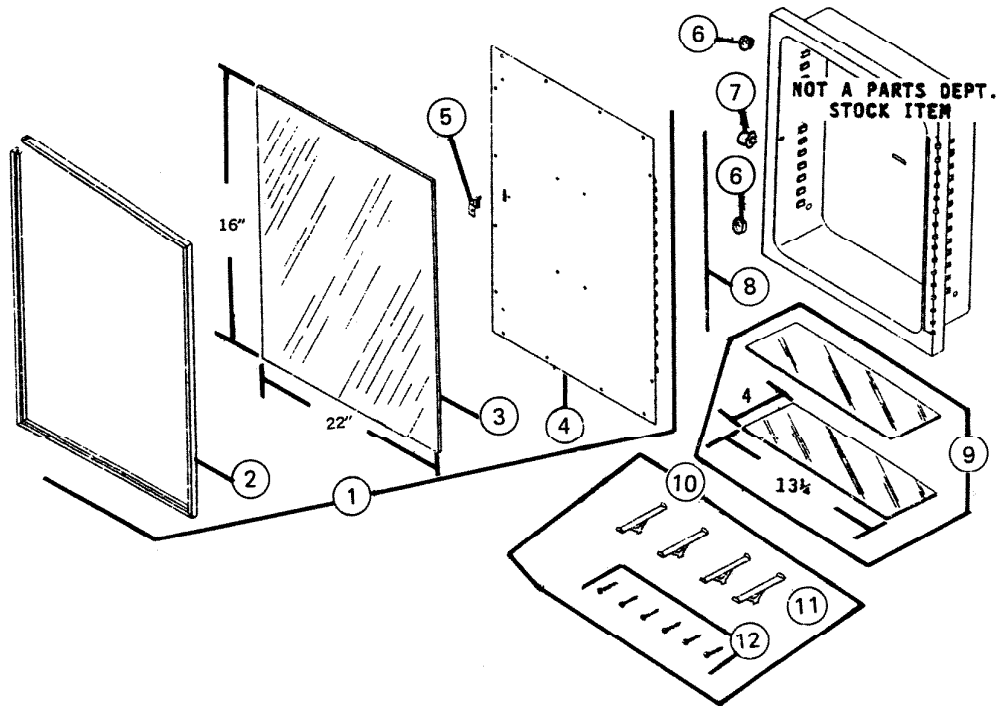


# PARTS LIST

EFFECTIVE DATE	MODEL	PRODUCT GROUP
NOV. 1981	27P -27W REVISED	BATH CABINET



REF.	ORIGINAL PART NO.	* PART DESCRIPTION		MODEL USED ON	CURRENT REPLACEMENT PART NO.
1	90062	DOOR ASSY.		27P	90062-000
	90063			27W	90063-000
2	90085	FRAME		27P 27W	90085-000
3	90070	MIRROR	PLATE $\frac{1}{4}$ x 16 x 22	27P	94844-000
	90071		WINDOW $\frac{1}{8}$ x 16 x 22	27W	94845-000
4	90064	DOOR BACK & HINGE		27P 27W	90064-206
5	90067	CATCH-DOOR		27P 27W	90067-000
6	90069	BUMPER SET		27P 27W	2093A-000
7	90555	CATCH-BULLET		27P 27W	90555-000
8	90075	HINGE PIN		27P 27W	90075-000

PLEASE SEE OTHER SIDE

NuTone

NOTE: Always order by current part number.

PL-27P,27W REV. 9 /81

REF.	ORIGINAL PART NO.	* PART DESCRIPTION	MODEL USED ON	CURRENT REPLACEMENT PART NO.	
9	90042	SHELF 1/8 x 4" x 13½	SET OF 2	27P 27W	90042-000
	90043		ONE		90743-000
10	90076	HARDWARE SET	27P 27W	90076-000	
11	90039	SHELF SUPPORT (1) 4-REQ.	27P 27W	90039-000	
12	90040	MOUNTING SCREW SET (6)	27P 27W	69781-000	