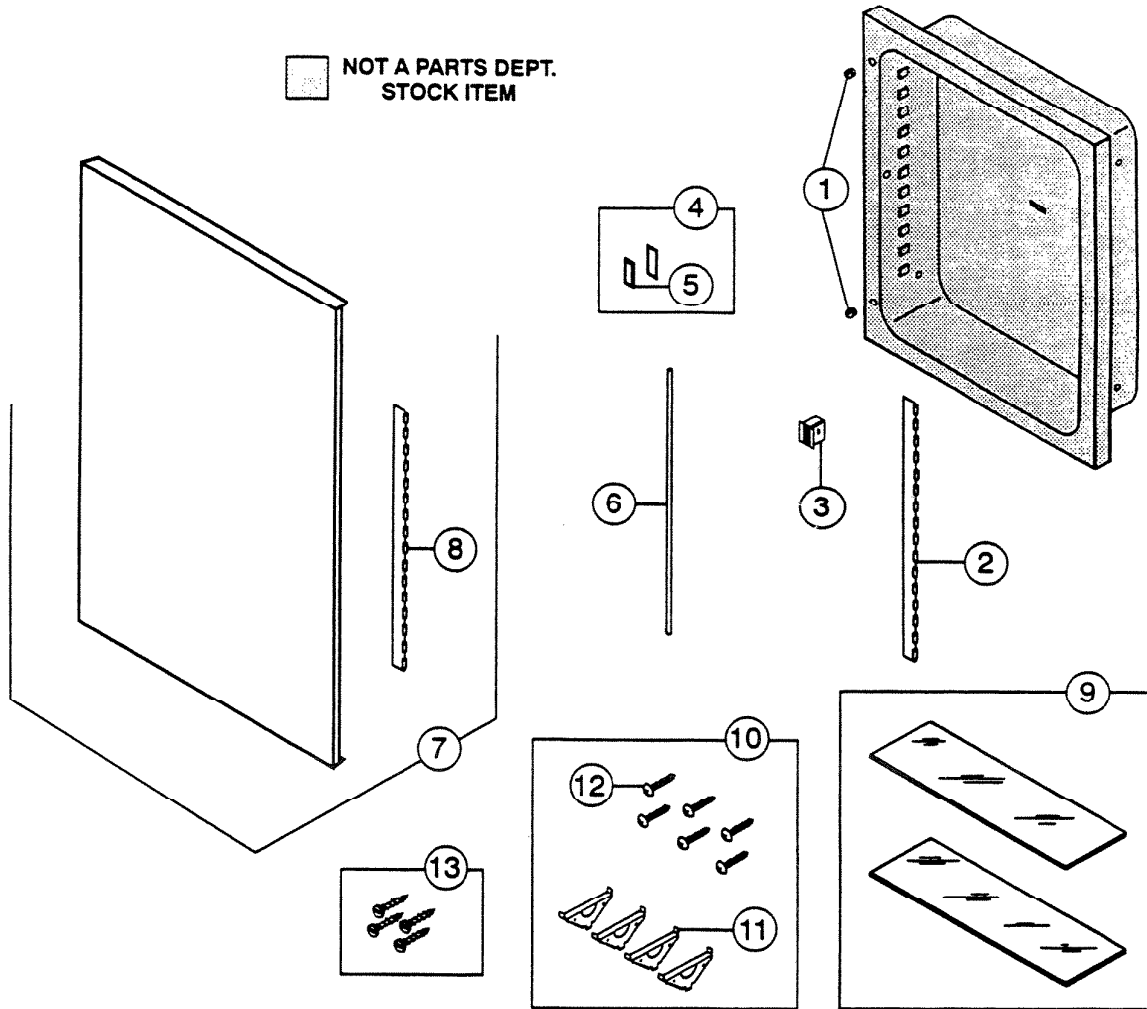


NuTone PARTS LIST

EFFECTIVE DATE	MODEL NUMBER	PRODUCT GROUP
JULY 1993	27H REVISED	BATH CABINET

☐ NOT A PARTS DEPT.
STOCK ITEM




REF.	ORIGINAL PART NO.	*PART DESCRIPTION	MODEL USED ON	CURRENT REPLACEMENT PART NO.
1	90069	BUMPER SET	Current Production	2093A-000
2	93930	HINGE LEAF	Current Production	93930-206

↑
NOTE: Always order by
current part number

REF.	ORIGINAL PART NO.	*PART DESCRIPTION	MODEL USED ON	CURRENT REPLACEMENT PART NO.
3	90011	MAGNETIC CATCH	Early Production	0952A-000
	99155		Current Production	0952A-000
4	M2248	STRIKE PLATE ASSEMBLY	Current Production	M2248-000
5	95953	TAPE – Double Faced	Current Production	95953-000
6	90075	HINGE PIN	All	90075-000
7	92853	DOOR AND HINGE ASSEMBLY	All	92853-206
8	90066	HINGE LEAF	Current Production	90066-000
9	90043	SHELF – 2 required	Early Production	90043-000
	97591		Plastic	Current Production
10	90076	HARDWARE SET (See note*)	Early Production	90076-000
11	90039	SHELF SUPPORT – 4 required	Early Production	90039-000
12	90040	MOUNTING SCREW – set of 6	Early Production	90040-000
13	95921	SCREW PACK (See note**)	Current Production	95921-000

***NOTE:** Hardware Set contains:
(6) Mounting Screws
(4) Shelf Supports

****NOTE:** Screw Pack Contains:
(4) Screws #8 x 11/4 PH PAN HD "A"
BR Zinc Plated


NOTE: Always order by
current part number