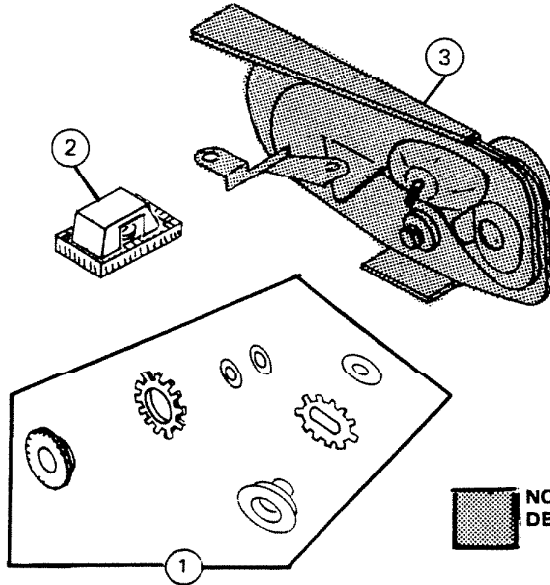


# PARTS LIST

EFFECTIVE DATE	MODEL	PRODUCT GROUP
APRIL 1985	279 REVISED	FOOD CENTER



REF.	ORIGINAL PART NO.	* PART DESCRIPTION	MODEL USED ON	CURRENT REPLACEMENT PART NO.
1	2726A	REPAIR KIT	279	2726A-000
2	2722A	MAGNET ASSEMBLY	279	2722A-000
3		CAN OPENER HOUSING	279	

NuTone

Housing Group

**Scovill**

PRINTED IN U.S.A.

NOTE Always order by current part number