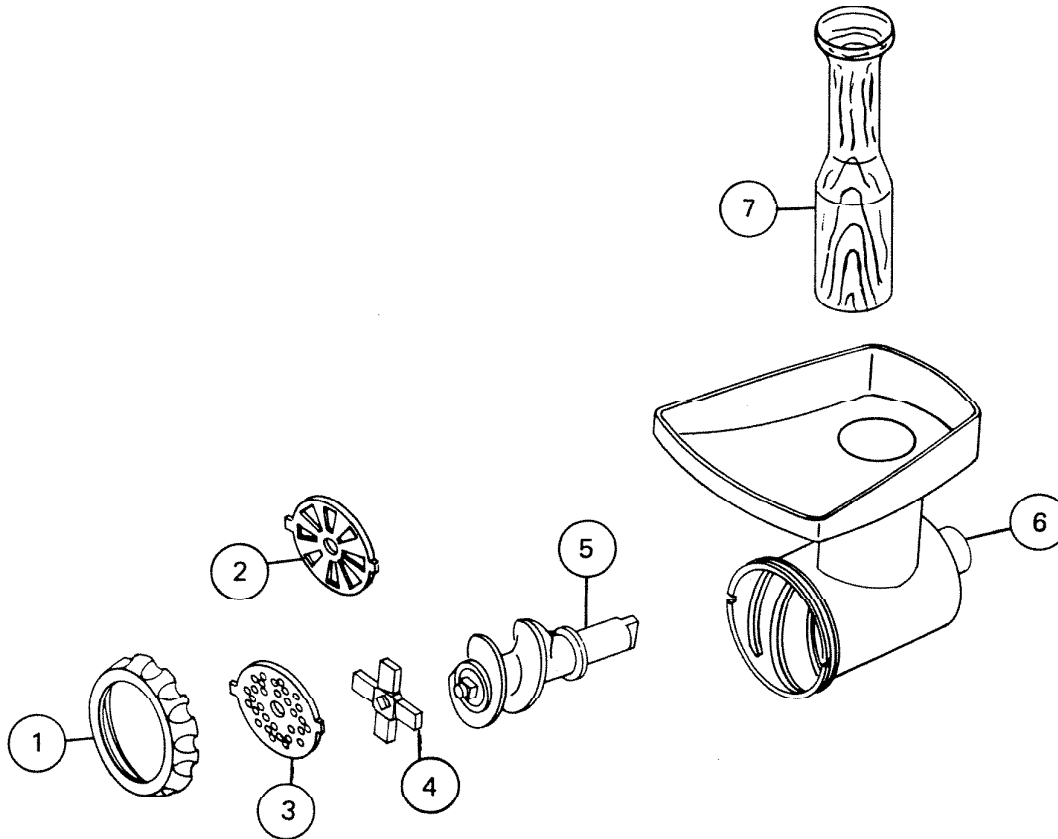


PARTS LIST

EFFECTIVE DATE	MODEL	PRODUCT GROUP
AUGUST 1980	277 REVISED	FOOD CENTER



REF.	ORIGINAL PART NO.	* PART DESCRIPTION	MODEL USED ON	CURRENT REPLACEMENT PART NO.
1	65232	HAND NUT	277	65232-000
2	65235	VEGETABLE PLATE (COARSE)	277	65235-000
3	65231	CUTTER PLATE FINE	277	65231-000
4	65230	BLADE (CUTTING)	277	65230-000
5	65229	FEED SCREW	277	65229-000
6	65228	CHOPPER BODY	277	65228-000
7	65234	TAMPER	277	65234-000

NuTone Division
Scovill

NOTE: Always order by current part number