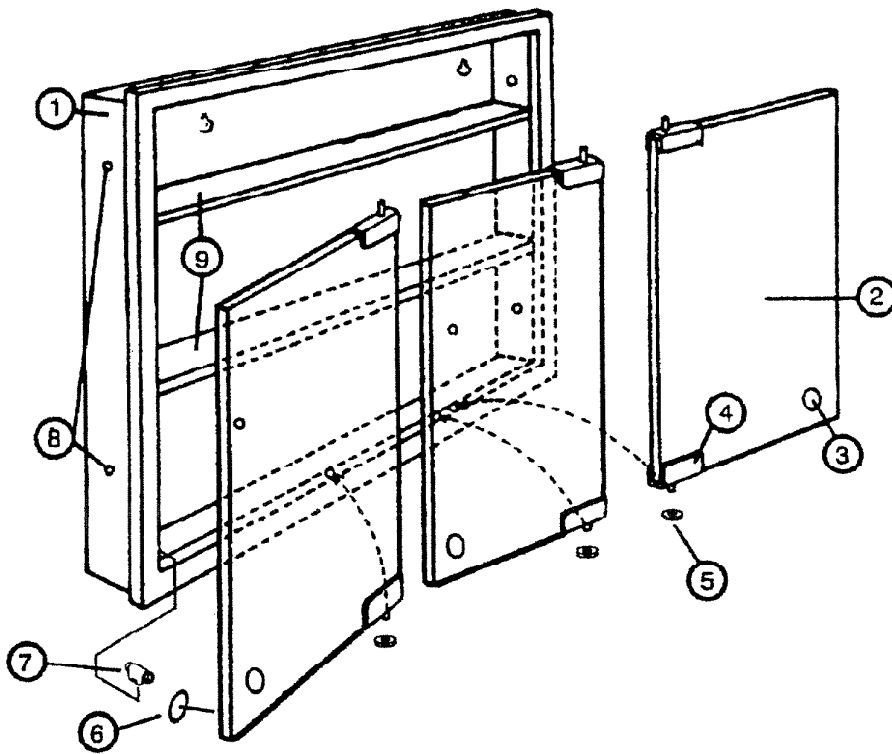


# SERVICE PARTS

## GRAND OAK II



KEY NO.	DESCRIPTION	PART NUMBER			
		24"	30"	36"	48"
1	Body/Frame Assembly	SA97014534	SA97014535	SA97014536	SA97014537
2	Mirror	SA99050195	SA99050199	SA99050200	SA99050201
3	Urethane Disc	S99100527	S99100527	S99100527	S99100527
4	Hinge	S7175	S7175	S7175	S7175
5	Nylon Washer	S7185	S7185	S7185	S7185
6	Metallic Disc	S7188	S7188	S7188	S7188
7	Magnet	S99680015	S99680015	S99680015	S99680015
8	Hole Plug	S99110570	S99110570	S99110570	S99110570
9	Shelf	SA98009038	SA98009039	SA98009040	SA98009035