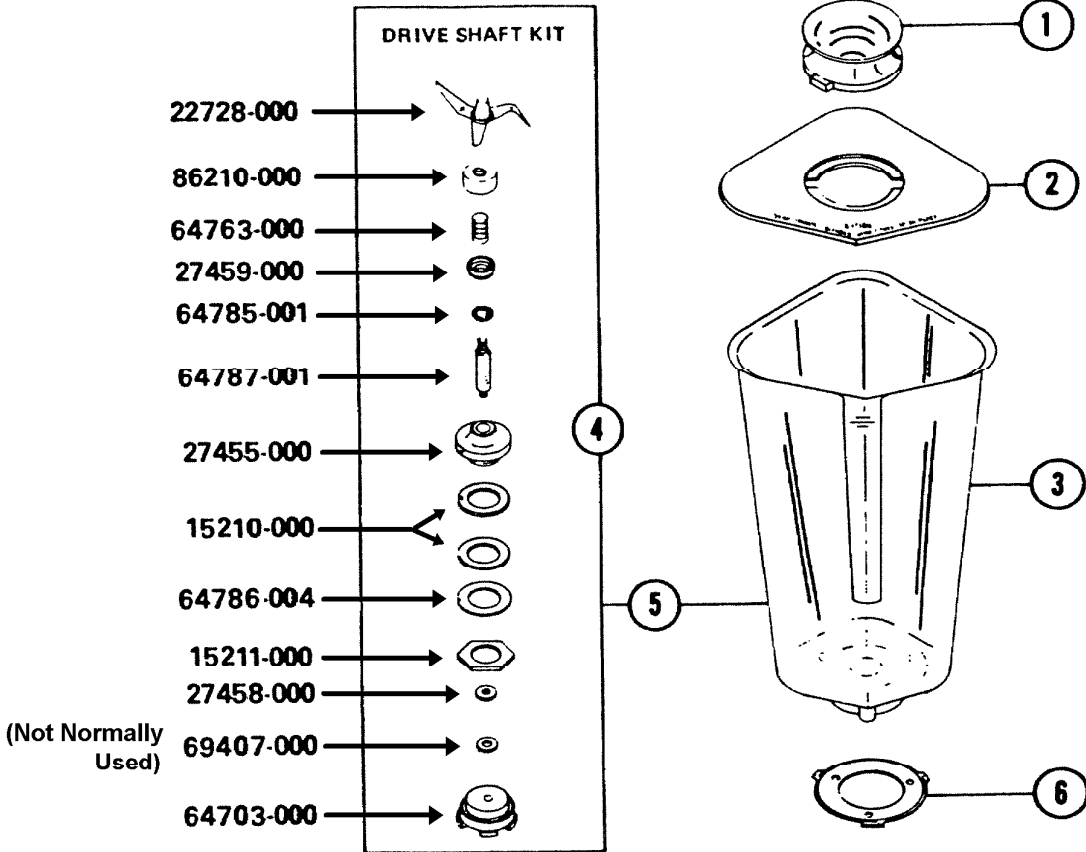


# PARTS LIST

EFFECTIVE DATE	MODEL	PRODUCT GROUP
SEPT 1978	272	FOOD CENTER



REF.	ORIGINAL PART NO.	PART DESCRIPTION	MODEL USED ON	CURRENT REPLACEMENT PART NO.
1	22724	CAP	272	22724-000
2	22725	LID	272	22725-000
3	27451	BOWL ONLY	272	27451-000
4	69466	DRIVE SHAFT KIT	272	69488-000
	69468			
	69470			
5	27450	BOWL & SHAFT ASSY	272	27450-000
6	27453	LOCKING PLATE	272	27453-000

**NuTone Division**  
**Scovill**

NOTE: Always order by current part number.