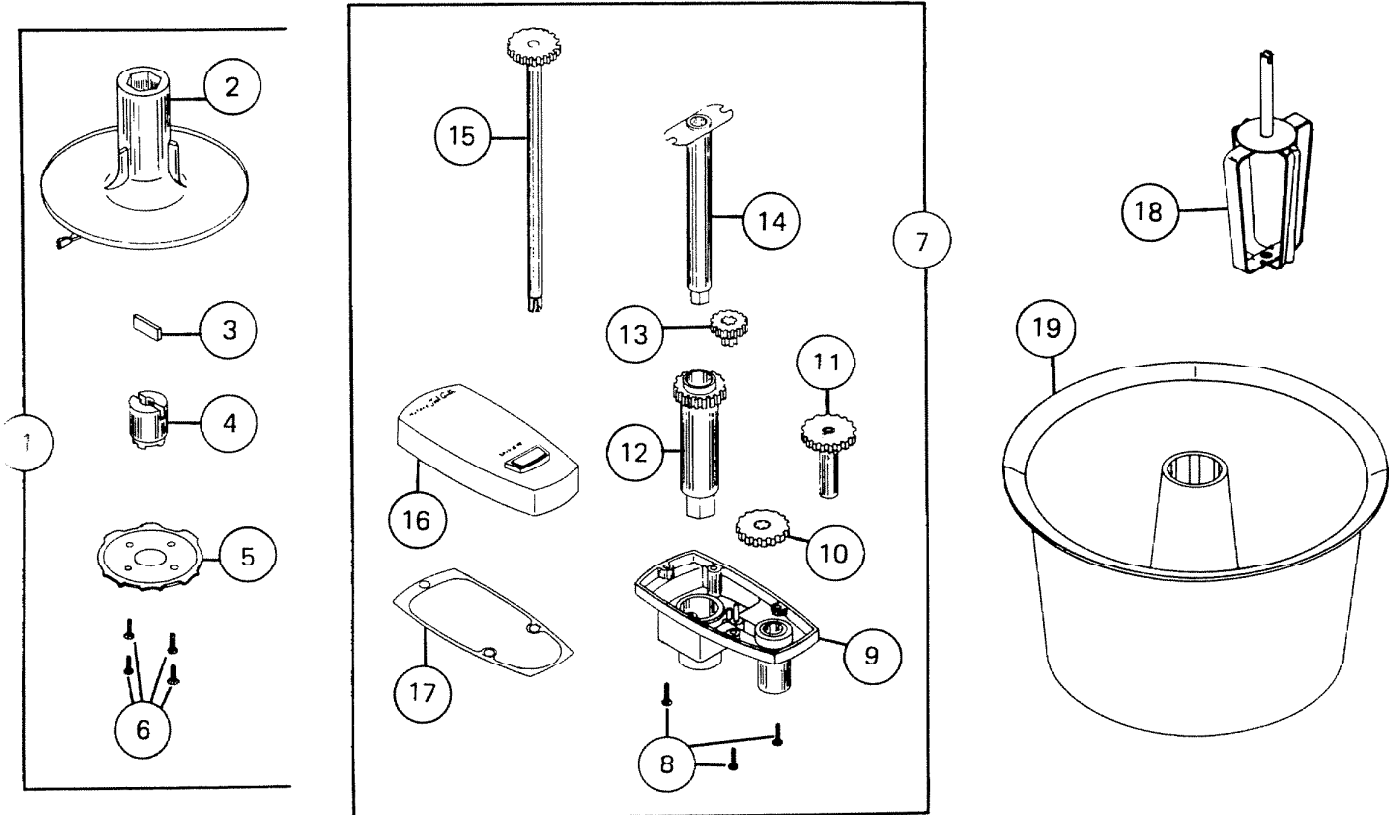


PARTS LIST

EFFECTIVE DATE	MODEL	PRODUCT GROUP
AUGUST 1980	271 REVISED	FOOD CENTER



REF.	ORIGINAL PART NO.	* PART DESCRIPTION	MODEL USED ON	CURRENT REPLACEMENT PART NO.
1	64746	TURNTABLE ASSEMBLY	271	64746-000
2	69467	TURNTABLE SUPPORT ASSEMBLY	271	69467-000
3	64751	DRIVE KEY	271	64751-000
4	64752	ATTACHMENT DRIVE	271	64752-000
5	64753	SUPPORT PLATE	271	64716-000
6	1656A	SCREW SET (4)	271	1656A-000
7	64721	MIXER HEAD ASSEMBLY	271	64721-000
8	1657A	SCREW PACK (3)	271	1657A-000
		(PLEASE SEE OTHER SIDE)		

NuTone Division
Scovill

NOTE: Always order by current part number.

PL-271

REF.	ORIGINAL PART NO.	PART DESCRIPTION	MODEL USED ON	CURRENT REPLACEMENT PART NO.
9	64722	MIXER HEAD BASE ASSEMBLY	271	64722-000
10	64731	CLUSTER GEAR – 12T, 40T	271	64731-000
11	64737	BLADE DRIVE ASSEMBLY	271	64737-000
12	64726	TURNTABLE DRIVE ASSEMBLY	271	64726-000
13	64730	CLUSTER GEAR – 12T, 26T	271	64730-000
14	64728	MAIN SUPPORT ASSEMBLY	271	64728-000
15	64735	DRIVE SHAFT ASSEMBLY	271	64735-000
16	64742	MIXER HEAD COVER ASSEMBLY	271	64742-000
17	64741	GASKET – MIXER HEAD	271	64741-000
18	26102	BEATER BLADE ASSEMBLY	271	26102-000
19	26100	BOWL (MODEL 286)	271	70760-900