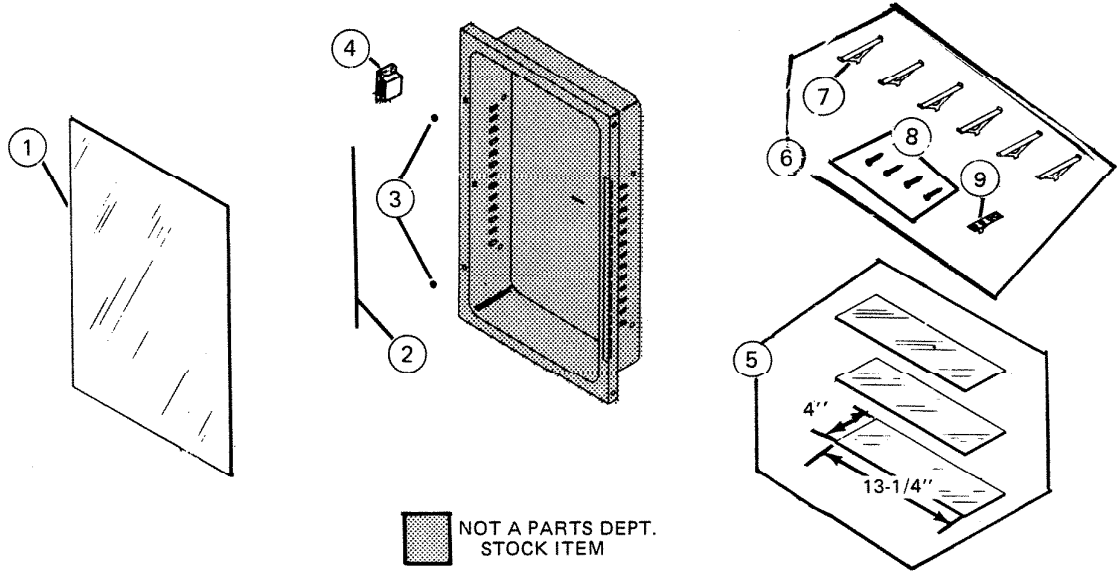


PARTS LIST

EFFECTIVE DATE	MODEL	PRODUCT GROUP
September 1987	267WB NEW	BATH CABINET



REF.	ORIGINAL PART NO	* PART DESCRIPTION	MODEL USED ON	CURRENT REPLACEMENT PART NO.
1	96378	DOOR ASSEMBLY W/HINGE PIN	267 WB	96378-000
2	90075	HINGE PIN	267 WB	90075-000
3	2093A	BUMPER SET (2)	267WB	2093A-000
4	90011	CATCH – MAGNETIC	267 WB	90011-000
5	90743	SHELF	ONE SET OF 3	90743-000
	90742			90742-000
6	92268	HARDWARE SET	267 WB	92268-000
7	90039	SHELF SUPPORT (1) – 6 REQUIRED	267 WB	90039-000
8	69781	MOUNTING SCREW SET	267 WB	69781-000
9	92264	TOOTHBRUSH HOLDER	267 WB	92264-000