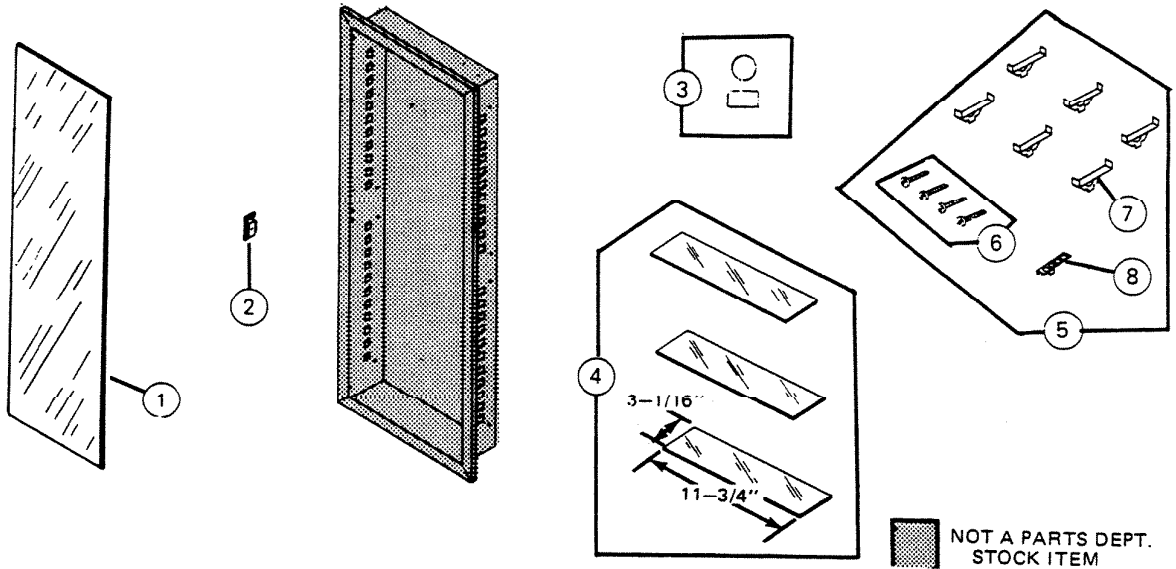


PARTS LIST

EFFECTIVE DATE	MODEL	PRODUCT GROUP
JULY 1984	264R NEW	BATH CABINET



REF.	ORIGINAL PART NO.	* PART DESCRIPTION	MODEL USED ON	CURRENT REPLACEMENT PART NO.
1	96046	DOOR ASSY	264R	96046-000
2	96045	MAGNETIC TOUCH LATCH	264R	96045-000
3	96050	BUMPER PAD SET(2) W/PUSH PLATE	264R	96050-000
4	95540	SHELF 3 1/16 x 11 3/4	264R	95540-000
	95541			SET OF 3 ONE
5	95542	HARDWARE PKG.	264R	95542-000
6	69781	MOUNTING SCREWS	264R	69781-000
7	95543	SHELF SUPPORT (1)	264R	95543-000
8	92264	TOOTHBRUSH HOLDER	264R	92264-000

NuTone

NOTE: Always order by current part number.