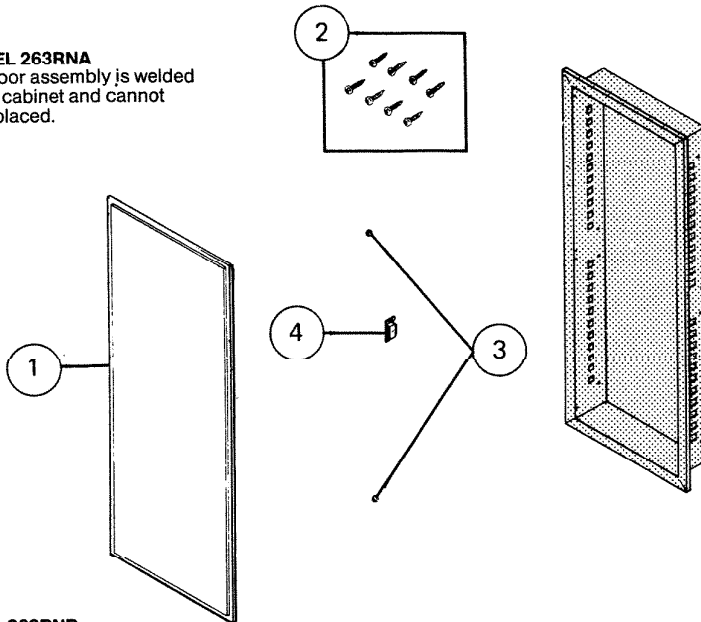


PARTS LIST

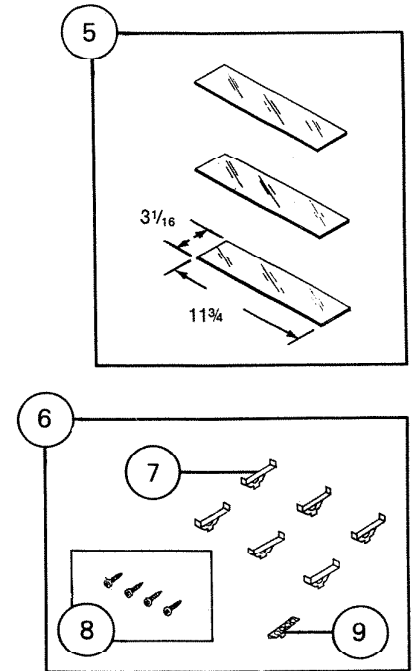
EFFECTIVE DATE	MODEL	PRODUCT GROUP
JAN. 1991	263RNA REVISED 263RNB NEW	BATH CABINET

MODEL 263RNA
The door assembly is welded to the cabinet and cannot be replaced.




MODEL 263RNB
The door assembly is mounted to the cabinet with screws and can be replaced.

 NOT A PARTS DEPT. STOCK ITEM



REF.	ORIGINAL PART NO.	*PART DESCRIPTION	CURRENT REPLACEMENT PART NO.
1	99151	DOOR ASSEMBLY—Model 263RNB Only	99151-000
2	2238A	HINGE SCREW PACK—(8) #6— $\frac{1}{4}$ x 20 Ph. Pan "AB"	2238A-000
3	2093A	BUMPER SET (2)	2093A-000
4	90011	MAGNETIC CATCH	90011-000
	95541	SHELF $3\frac{1}{16}$ X $11\frac{3}{4}$	ONE
5	95540		SET OF 3
6	95542	HARDWARE SET	95542-000
7	95543	SHELF SUPPORT (1) 6 Required	95543-000
8	69781	SCREW SET (6)	69781-000
9	92264	TOOTHBRUSH HOLDER	92264-000

 **NOTE: Always order by current part number.**