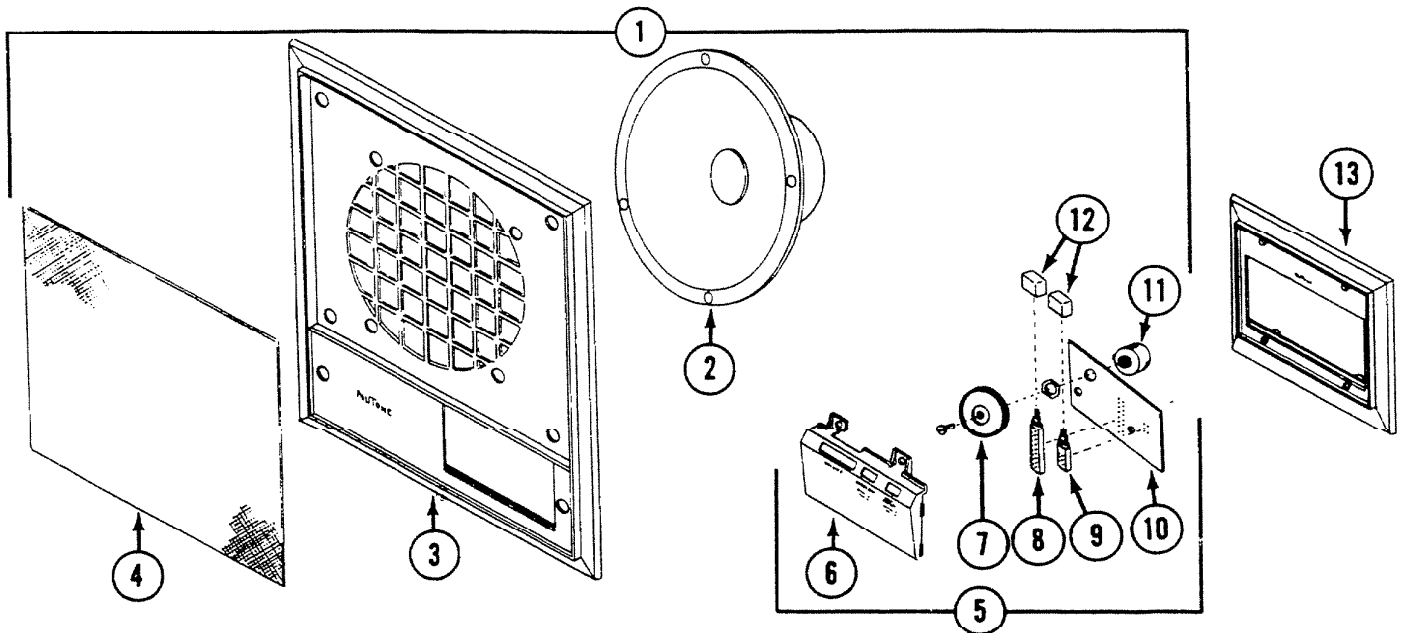


EFFECTIVE DATE

June 1, 1970

NuTone

PARTS LIST

 MODEL
 2553 "B" W
 Radio - Intercom


REF.	PART NO.	*Part used on other model/s	PART DESCRIPTION
1	40940		Panel & Control Assembly
2	36042		Speaker 8" - 45 Ohm
3	38084		Panel
4	41029		Grille Plate Complete
5	40942		Control Insert Complete
6	38085		Insert
7	39058		Volume Knob
8	34576		Push Switch - 6 Pole
9	34575		Push Switch - 2 Pole
10	37516		P. C. Board - Remote
11	34021		Potentiometer
12	31878		Pushbutton
13	38086		Bezel
--	40372		Envelope Assembly - (Not Shown)
--	38087		Blank Insert (Not Shown)
--	40621		P. C. Board & Knob Assembly (Ref. No's. 7 thru 12)

Order Parts From: PARTS DEPT. C/O

NuTone

SCOVILL

DIVISION

Madison and Red Bank Rds., Cincinnati, O. 45227