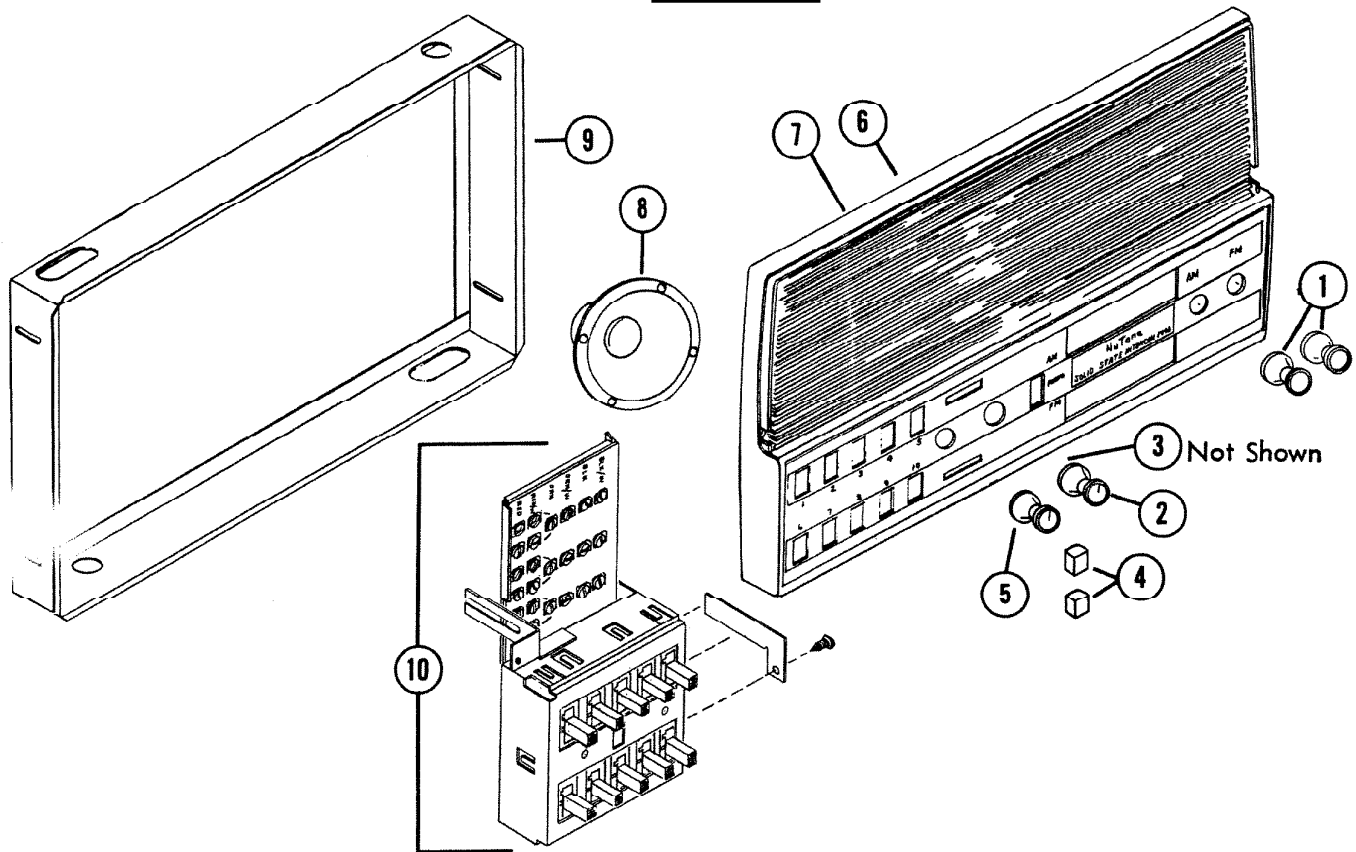


**2540, 2541**



REF.	PART NO.	PART DESCRIPTION
1	31889	Knob, Tuning (2 used)
2	31887	Knob, Volume
3	31604	Knob, Tone (not shown)
4	31651	Knob, Lever Switch (2 used)
5	31888	Knob, Speaker
6	40736	Front Panel Assembly (Complete) (Model 2540B) WALNUT
7	40735	Front Panel Assembly (Complete) (Model 2541B) EGG SHELL WHITE
8	36029	Master Speaker (5" - 45 ohm)
9	40673	"A" Housing
10	40753	Switch Box (Complete)
11	32442	R. H. Mounting Bracket (Not Shown)

PRICES SUBJECT TO CHANGE WITHOUT NOTICE

**Order Parts From: PARTS DEPT. C/O**

**NuTone**

Medison and Red Bank Rds., Cincinnati, O. 45227

\*Part used on other model/s

Printed in the U.S.A.

PARTS LIST

Ref. No.	Part No.	Description
----------	----------	-------------

TRANSISTORS

TR1	36582	FM RF Amp. FET.
TR2	36578	FM Mixer, NPN
TR3	36581	FM Osc., NPN
TR4	36578	1st FM IF Amp., AM Converter, NPN
TR5	36578	2nd FM IF, 1st AM IF Amp., NPN
TR6	36578	3rd FM IF, 2nd AM IF Amp., NPN
TR7	36580	AF Amp., NPN
TR8	36577	Driver, PNP
TR9	36580	Intercom Pre-Amp., NPN
TR10	36579	Output, NPN

DIODES

D1	35019	FM AFC
D2	36508	FM Overload
D3	36508	AM Overload
D4	36508	AM Detector
D5	36508	AM AGC
D6	36539	Zener, Voltage Regulator (1W, 12V)
D7	36553	Bias Regulator
D8	36564	Low Voltage Rectifier
D9	36564	Low Voltage Rectifier
D10	36564	Low Voltage Rectifier
D11	36564	Low Voltage Rectifier

CAPACITORS

C1	35081	FM Tuning, 3 Gang
C2	35101-130	15pf, Ceramic Disc
C3	35101-127	2.2pf
C4	35100-120	.001, Ceramic Disc
C5	35100-120	.001, Ceramic Disc
C6	35101-134	3.3pf, Ceramic Disc
C7	35101-130	15pf, Ceramic Disc
C8	35100-124	270pf, Ceramic Disc
C9	35100-139	.01, Ceramic Disc
C10	35100-144	56pf, Ceramic Disc
C11	35100-139	.01, Ceramic Disc
C12	35100-144	56pf, Ceramic Disc
C13	35101-126	1.2pf, Ceramic Disc
C14	35100-141	.05, Ceramic Disc
C15	35078	Variable Trimmer
C16	35101-134	3.3pf, Ceramic Disc
C17	35101-129	4.7pf, Ceramic Disc
C18	35100-120	.001, Ceramic Disc
C19	35101-132	12pf, Ceramic Disc
C20	35101-137	5.6pf, Ceramic Disc
C21	35061	.001, Feed-thru, Ceramic
C22	35100-141	.05, Ceramic Disc
C23	35079	AM Tuning, 2 Gang
C27	35100-139	.01, Ceramic Disc
C28	35101-135	7.5pf, Ceramic Disc
C29	35100-141	.05, Ceramic Disc
C30	35068-108	10mfd @ 6V, Electrolytic
C39	35100-142	330pf, Ceramic Disc
C44	35068-108	10mfd @ 6V, Electrolytic
C48	35100-139	.01, Ceramic Disc
C49	35068-103	100mfd @ 15V, Electrolytic
C50A		30mfd @ 35V, Electrolytic
C50B		300mfd @ 20V, Electrolytic
C50C	35080	500mfd @ 50V, Electrolytic
C50D		500mfd @ 50V, Electrolytic
C61	35100-141	.05, Ceramic Disc
C52	35100-153	.03, Ceramic Disc
C53	35068-111	390mfd @ 3V, Electrolytic
C54	35024	.47, Polyester Film
C55	35100-134	470pf, Ceramic Disc
C56	35100-140	.02, Ceramic Disc
C57	35100-127	.1, Ceramic Disc
C58	35100-139	.01, Ceramic Disc
C59	35100-139	.01, Ceramic Disc
C60	35100-139	.01, Ceramic Disc
C61	35100-120	.001, Ceramic Disc
C62	35100-139	.01, Ceramic Disc
C63	35068-109	15mfd @ 15V, Electrolytic

CONTROLS AND RESISTORS

R1	33101-271	270Ω, 1/2 Watt, 10%
R2	33101-333	33K, 1/2 Watt, 10%

Ref. No.	Part No.	Description
----------	----------	-------------

CONTROLS AND RESISTORS (Cont'd.)

R3	33101-392	3900Ω, 1/2 Watt, 10%
R4	33101-102	1000Ω, 1/2 Watt, 10%
R5	33101-331	330Ω, 1/2 Watt, 10%
R6	33101-224	220K, 1/2 Watt, 10%
R7	33101-333	33K, 1/2 Watt, 10%
R8	33101-333	33K, 1/2 Watt, 10%
R9	33101-334	330K, 1/2 Watt, 10%
R10	33101-392	3900Ω, 1/2 Watt, 10%
R11	33101-102	1000Ω, 1/2 Watt, 10%
R12	33101-331	330Ω, 1/2 Watt, 10%
R13	33101-104	100K, 1/2 Watt, 10%
R18	33101-271	270Ω, 1/2 Watt, 10%
R19	33101-331	330Ω, 1/2 Watt, 10%
R23	33101-271	270Ω, 1/2 Watt, 10%
R38	33101-333	2200Ω, 1/2 Watt, 10%
R39	33101-152	1500Ω, 1/2 Watt, 10%
R40	33101-152	1500Ω, 1/2 Watt, 10%
R41	33101-271	270Ω, 2 Watt, 10%
R42	33101-101	100Ω, 1/2 Watt, 10%
R43	33101-394	390K, 1/2 Watt, 10%
R44	33101-393	39K, 1/2 Watt, 10%
R45A		500K, Tone Control
R45B		100K, Volume Control
R46	33101-683	68K, 1/2 Watt, 10%, Film
R55	33028-471	470Ω, 2 Watt, 10%, Wire Wound
R56	33028-680	68Ω, 2 Watt, 10%, Wire Wound
R58	33028-150	15Ω, 2 Watt, 10%, Wire Wound
R59	34023	2 Meg, Level Set Control
R67	33101-332	3300Ω, 1/2 Watt, 10%
R68	33028-082	8.2Ω, 2 Watt, 10%, Wire Wound
R69	33101-151	150Ω, 1/2 Watt, 10%
R70	33028-470	47Ω, 2 Watt, 10%, Wire Wound
R71		350Ω, Master Speaker Volume Control
R73	33101-470	47Ω, 1/2 Watt, 10%
R74	33101-470	47Ω, 1/2 Watt, 10%
R75	33101-681	680Ω, 1/2 Watt, 10%

TRANSFORMERS

T1	30524	1st FM IF
T2	30567	2nd FM IF
T3	30567	3rd FM IF
T4	30574	Ratio Detector
T5	30541	3rd AM IF
T6	30540	2nd AM IF
T7	30542	1st AM IF
T8	30577	Intercom Input
T9	30576	Audio Output

COILS

L1	30069	FM Antenna
L2	30071	FM Mixer
L3	30062	Trap
L4	30063	FM Oscillator
L5	30072	RF Choke
L6	30573	AM Antenna
L7	30067	AM Oscillator

COMPONENT COMBINATIONS

P1	37541	Converter Couplate - (3) .01mfd, 22K, 330Ω, 10K, 1500Ω
P2	37538	1st IF Couplate - (3) .01mfd, .005mfd, 470Ω, 90K, 10K, 1200Ω
P3	37539	2nd IF Couplate - .01mfd, (2) .02mfd, .005mfd, 560Ω, 2200Ω, 15K, 330Ω
P4	37511	Ratio Detector Couplate - (2) 330pf, 300pf, .001mfd, 1500Ω, (2) 6800Ω, 1000Ω, 68Ω, 68K
P5	37540	AF Detector Couplate - .01mfd, (2) .02 mfd, 2700Ω, 2200Ω, 10K
P6	33031	Audio Couplate - 180K, (2) 68K, 56K, 10K, 2200Ω, 390Ω, 1200Ω
P7	33032	Intercom Couplate - 4700Ω, 560K, 820K, 15K, 6800Ω, 100K, 680Ω

## PARTS LIST (CONTINUED)

Ref. No.	Part No.	Description	Ref. No.	Part No.	Description
<b>SPEAKERS</b>			<b>MISCELLANEOUS (Cont'd.)</b>		
SPK1	36029	Speaker (5" 45Ω) Model 2550, Remote Station Model 2553, Remote Station Model 2556, Patio Model 2571, Outside Door	M15 Plug 1 Jack 1 J2	31913	Master Speaker (5" x 7") 45 ohm Plug, 12 Contacts Jack, 12 Receptacles Phono Jack Pilot Lamp (6E1819)
<b>MISCELLANEOUS</b>			<b>CABINET PARTS</b>		
M1		Function Selector, 3 Position Slide Type		31889	Knob, Tuning (2 Used)
M2		Inside, Talk-Listen, Rotary Type, Spring Return		31888	Knob, Speaker
M3		Power Off-On Switch (Part of R45)		31887	Knob, Volume
M4	34580	Remote Station Selector, 3 Position, Slide Type		31604	Knob, Tone
M5	34580	Remote Station Selector, 3 Position, Slide Type		31651	Knob, Lever Switch (2 Used)
M6	34580	Remote Station Selector, 3 Position, Slide Type		40736	Front Panel Assembly (Complete) (Model 2540B)
M7	34580	Remote Station Selector, 3 Position, Slide Type		32383	Front Panel (Part of Front Panel Assembly)
M8	34580	Remote Station Selector, 3 Position, Slide Type		32378	Control Panel (Part of Front Panel Assembly)
M9	34580	Remote Station Selector, 3 Position, Slide Type		32363	Dial Lens (Part of Front Panel Assembly)
M10	34580	Remote Station Selector, 3 Position, Slide Type		40735	Front Panel Assembly (Complete) (Model 2541B)
M11	34580	Remote Station Selector, 3 Position, Slide Type		32382	Front Panel (Part of Front Panel Assembly) (Model 2541B)
M12	34580	Remote Station Selector, 3 Position, Slide Type		40753	Switch Box (Complete)
M13	34580	Remote Station Selector, 3 Position, Slide Type		40764	Switch Box Assembly
M14		Door, Listen-Talk, Rotary Type, Spring Return		32443	Switch Box
				40762	Printed Circuit Board Assembly (10 Switches)
				31882	Dial Pointer
				31883	Spring, Dial Pointer
				32447	Dial Background
				3122B	Dial Pulley
				40751	FM Tuner (Complete)
				40614	Power Transformer

## REVISED CIRCUIT PARTS LIST

The following parts have been changed or added to stabilize FM reception and prevent drift.

ADD:

REF. NO.	PART NO.	DESCRIPTION
C-64	35068-109	15 Mfd. 15V Electrolytic Capacitor
R-76	33101-331	330 Ohm ½ Watt Carbon Resistor

CHANGE:

C-14	35100-141	.05 Mfd. 50V TO .002 Mfd. 50V—Part #35110-106
------	-----------	---

The following part has been changed in order to allow the Nutone Model 2603 Record Changer and 2605 8-Track Tape Player to be utilized without any circuit modifications.

CHANGE:

R-12 FROM 390K Ohms Part #33101-394 TO 68K Ohms Part #33101-683

# NuTone Division

Madison and Red Bank Roads • Cincinnati, Ohio 45227

Part No. 46216  
Printed in U.S.A.

9-72