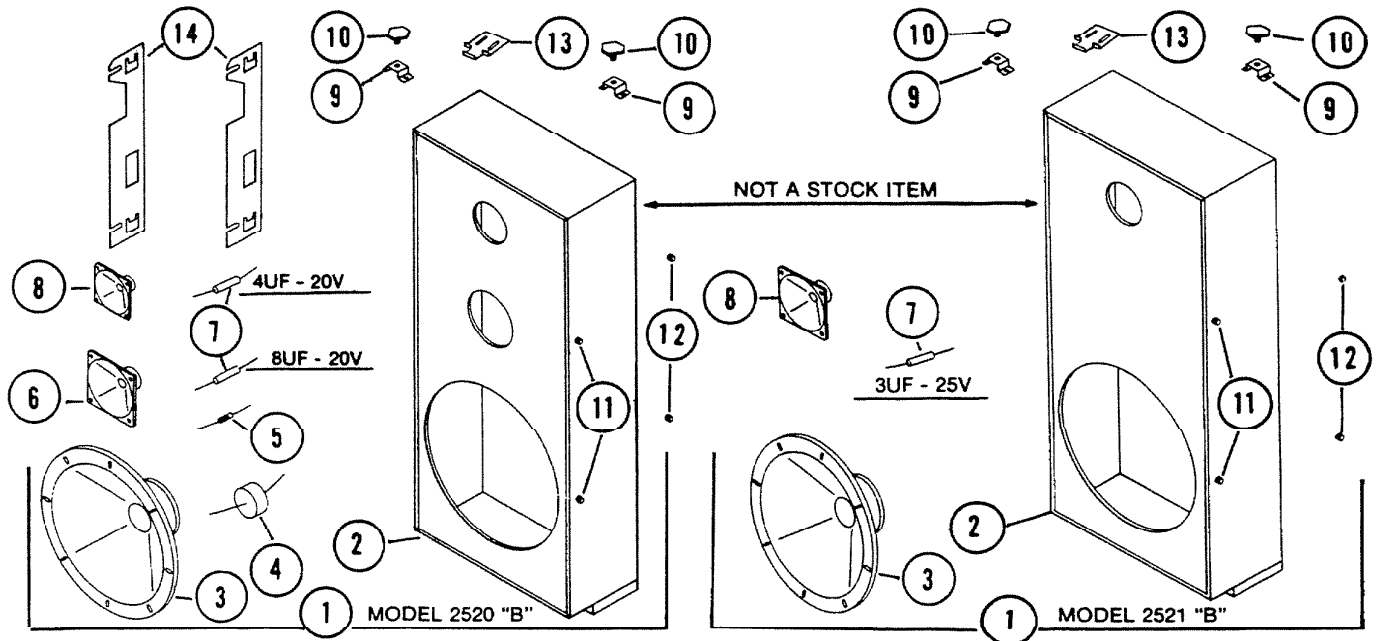


PARTS LIST

EFFECTIVE DATE	MODEL	PRODUCT GROUP
JANUARY 1978	2520B - 2521B NEW & REVISED	ELECTRONICS



REF.	ORIGINAL PART NO	* PART DESCRIPTION		MODEL USED ON	CURRENT REPLACEMENT PART NO
1		Speaker Box Comp.		2520B	
		Part Not a Stock Item Purchase Comp. Model		2521B	
2	41151	Speaker Box Only		2520B	Not A Stock Item
	42080			2521B	
3	60892	Woofer Speaker		2520B	60892-000
	5564A			2521B	5564A-000
4	60897	Choke		2520B	60897-000
5	60898	Resistor		2520B	60898-000
6	60893	Speaker - Mid Range		2520B	60893-000
7	60895	Capacitor	4UF - 20V	2520B	60895-000
	60896		8UF - 20V	2520B	60896-000
	1419A		3UF - 25V	2521B	1419A-000
		Please See Other Side			

NuTone Division
Seovill

PRINTED IN U.S.A.

NOTE: Always order by
current part number

C. P. 2520B - 2521B ELECTRONICS

REF	ORIGINAL PART NO	PART DESCRIPTION	MODEL USED ON	CURRENT REPLACEMENT PART NO
8	60894	Speaker - Tweeter	2520B	60894-000
	5565A		2521B	5565A-000
9	38296	Bracket - Leveller	2520B 2521B	38296-000
10	39158	Leveller	2520B 2521B	39158-000
11	39204	Stud (1) - 4 Required	2520B 2521B	39204-015
12	18267	Mounting Nut (1) - 4 Required	2520B 2521B	18267-000
13	38291	Hanger Bracket	2520B 2521B	38291-005
14	38217	Hanger Plate	2520B 2521B	38217-005