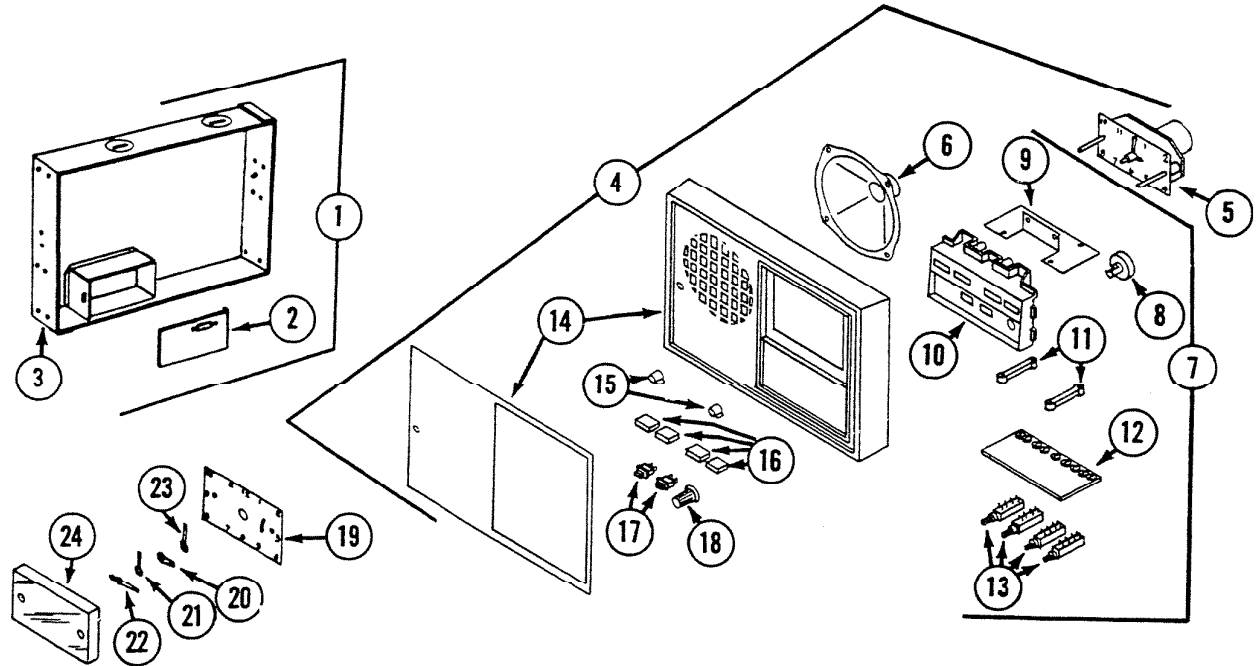


PARTS LIST

MODEL	2516 A & B ELECTRONICS
EFFECTIVE DATE	February 15, 1972



REF.	PART NO.	* Part used on other models. --	NOMENCLATURE
1	13298-900		"A" Box Complete (Model 436 A)
2	40071		Outlet Box Cover
3	40859		"A" Box Only
4	41107		Remote Speaker Assy.
5	36061	*	Clock Timer
6	36017	*	Speaker
7	41108		Control Assy.
8	34044	*	Potentiometer
9	38225		Bracket - PB Board
10	38224		Panel - Control Insert
11	39088	*	Spacer
12	41212		PC Board Assy.
13	34587	*	Switch - 4 required
14	38067	*	Front Panel

PLEASE SEE OTHER SIDE

NuTone

Order Parts From: Parts Department c/o
NuTone
Madison & Red Bank Road
Cincinnati, Ohio 45227

REF.	PART NO.	* Part used on other models.	NOMENCLATURE
15	39015	^	Knob - Clock - 2 required
16	31878	*	Pushbutton - 4 required
17	3721	*	Pushbutton Complete
18	39089	*	Knob - Volume
19	39010	*	Clock Face
20	39011	*	Clock Hand - Hour
21	39012	*	Clock Hand - Minute
22	39013	*	Clock Hand - Second
23	39014	*	Clock Hand - Alarm
24	38070	+	Clock Lens
--	40917		Envelope Assy.