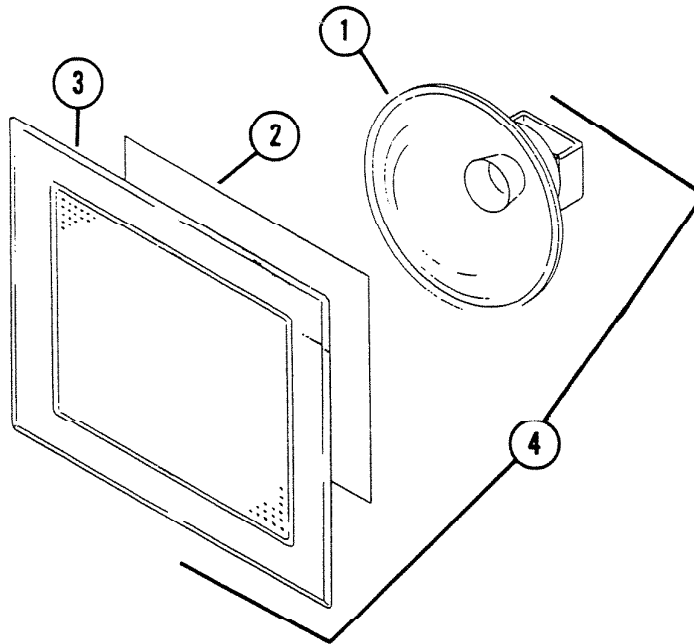


PARTS LIST

MODEL	MODEL 2514 SPEAKER ELECTRONICS
EFFECTIVE DATE	March 1, 1972



REF.	PART NO.	* Part used on other models.	NOMENCLATURE
1	36074		Speaker 8" 45 ohms
2	32181		Panel Back
3	32180		Panel
4	40440		Panel Assy. (Ref. No's 1, 2 and 3)
-	40349		Envelope Assy. (Not shown)

NuTone Division

Scovill

Order Parts From: Parts Department c/o
NuTone
Madison & Red Bank Road
Cincinnati, Ohio 45227