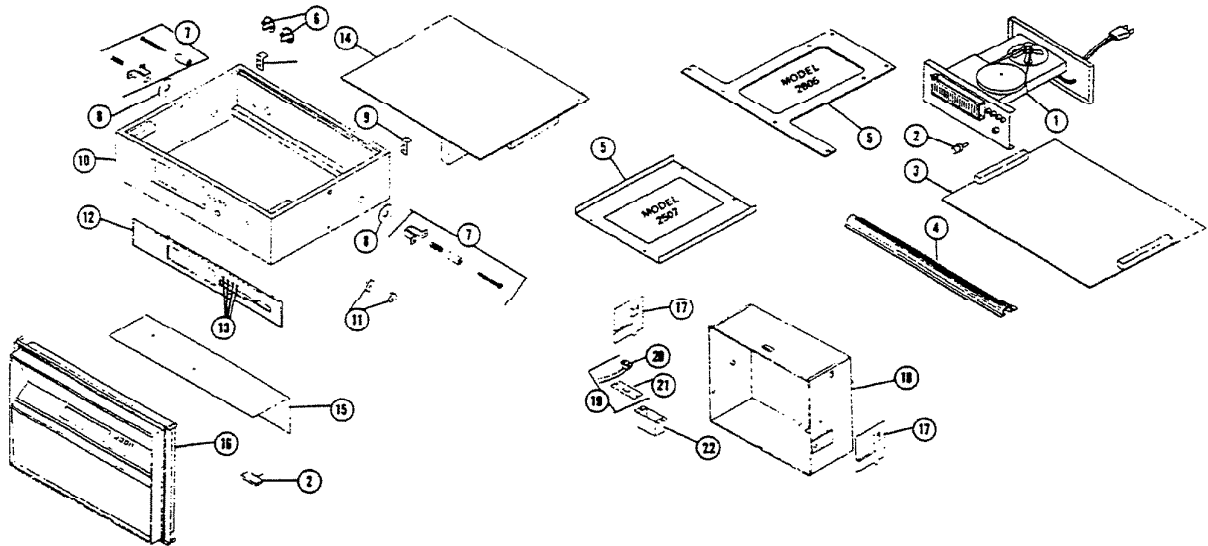


PARTS LIST

MODEL	2507 - 2605
EFFECTIVE DATE	NEW JANUARY, 1974



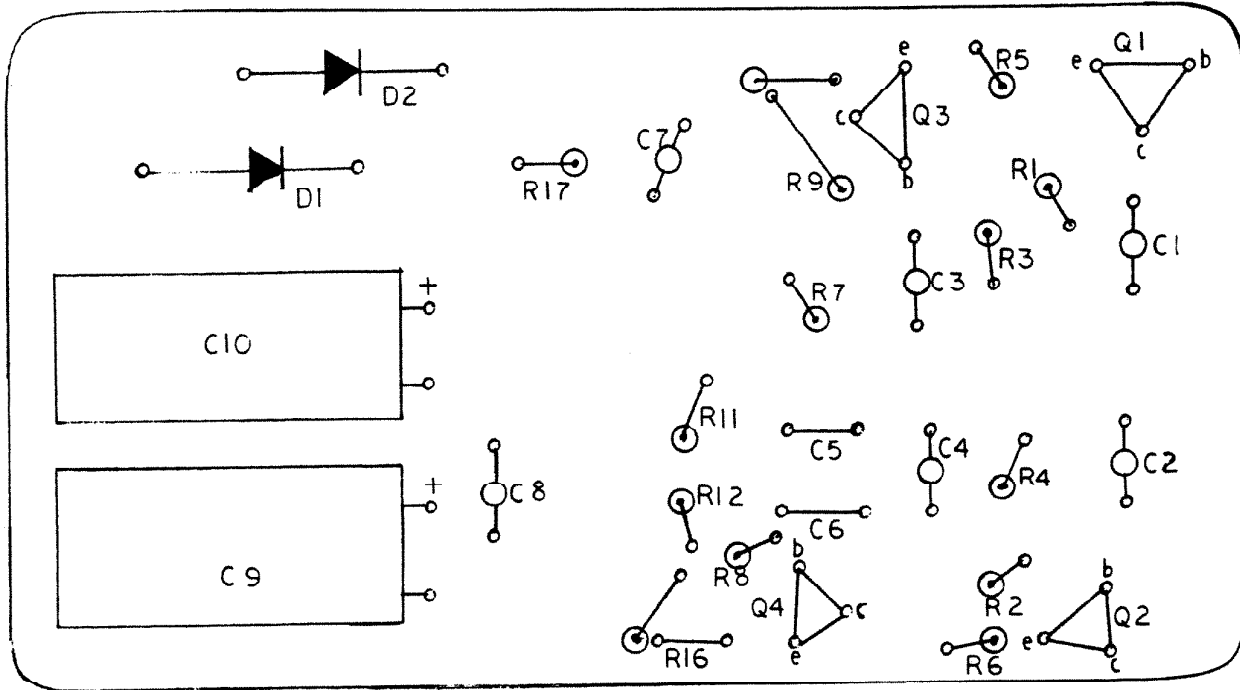
REF	ORIGINAL PART NO	* PART DESCRIPTION	MODEL USED ON	CURRENT REPLACEMENT PART NO
1	36080-000	8 Track Player	2507	36080-000
	36077-000		2605	36077-000
2	39265-000	Pushbutton	2507	39265-000
	39254-000		2605	39254-000
3	38385-000	Cover Base	2605	38385-000
4	38382-014	Handle	2605	38382-014
5	38410-000	Platform - 8 Track	2507	38410-000
	38393-000		2605	38393-000
6	39243-000	Switching Jack (one) 2-Required	2605	39243-000
7	41320-000	Plunger Assembly	2605	41320-000
8	39303-000	Spacer (one) L.H. or R.H.	2605	39303-000
9	38384-000	Bracket-Stop	2605	38384-000
10	38445-000	Base-8 Track	2605	38445-000
11	39197-000	Rubber Bumper	2605	39197-000
12	41331-000	Front Plate Assembly	2605	41331-000
13	39261-000	Lens - Chanel Indicator	2605	39261-000
14	41393-000	Cover Assy.-Top	2605	41393-000
15	38446-000	Bracket-8 Track	2507	38446-000
PLEASE SEE OTHER SIDE				

NuTone Division

Order Parts From:
 Parts Department c/o NuTone
 P.O. Box 27 • Cincinnati, Ohio 45227



2507, 2605



PREAMP PRINTED CIRCUIT BOARD

NOTE: Pre-Amp Board Part No. 61049 available as a complete assembly

ELECTRONICS PARTS LIST

REF. NO.	NUTONE PART NO.	DESCRIPTION
----------	-----------------	-------------

TRANSISTORS

Q-1 thru Q-4	36580	Transistor, NPN low noise
--------------	-------	---------------------------

DIODES

D-1, D-2	36549	Rectifiers, Motorola 1N4002
----------	-------	-----------------------------

RESISTORS

R-1	3.9 Meg Ohm	¼ Watt CC
R-2	3.9 Meg Ohm	¼ Watt CC
R-3	27K Ohms	¼ Watt Film
R-4	27K Ohms	¼ Watt Film
R-5	150 Ohms	¼ Watt Film
R-6	150 Ohms	¼ Watt Film
R-7	22K Ohms	¼ Watt Film
R-8	22K Ohms	¼ Watt Film
R-9	390K Ohms	¼ Watt Film
R-10	390K Ohms	¼ Watt Film
R-11	15K Ohms	¼ Watt Film
R-12	15K Ohms	¼ Watt Film
R-17	2.7K Ohms	¼ Watt Film

NOT AVAILABLE FROM NUTONE

REF. NO.	NUTONE PART NO.	DESCRIPTION
----------	-----------------	-------------

CAPACITORS

C-1		.47Mfd. 50V DC
C-2		.47Mfd. 50V DC
C-3		.47Mfd. 50V DC
C-4		.47Mfd. 50V DC
C-5		.005Mfd. 50V DC
C-6		.005Mfd. 50V DC
C-7		.47Mfd. 50V DC
C-8		.47Mfd. 50V DC
C-9		1000Mfd. 16V DC
C-10		1000Mfd. 25V DC

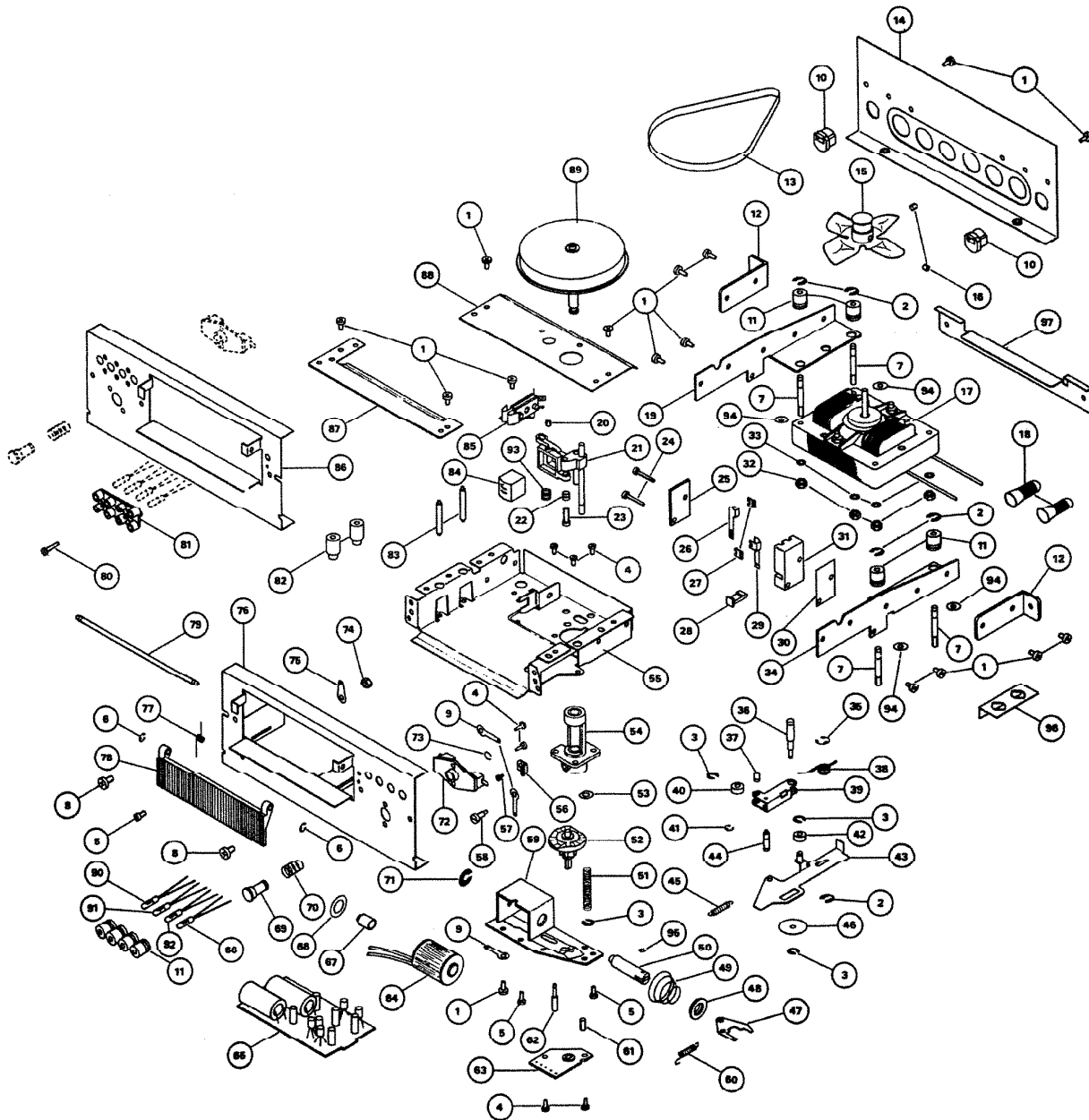
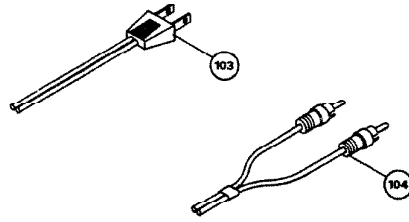
NOT AVAILABLE FROM NUTONE

PILOT LAMPS

P-1	61073	Program Indicator (Red Leads)
P-2	61074	Program Indicator (Green Leads)
P-3	61075	Program Indicator (Blue Leads)
P-4	61050	Program Indicator (Black Leads)

MISCELLANEOUS

Lens	39261	Program Indicator
Pushbutton	39254	Program Change
Pushbutton	39265	Program Change (Model 2507 Only)
P/C Board	61049	Pre-Amp, 2 Stage



REF. NO.	BSR PART NUMBER	NUTONE PART NO.	DESCRIPTION
1	A.106510	60990	Screw 6 X 1/4" Pan Head
2	A.100762	60991	"C" Ring
3	A.100785	60992	"C" Ring
4	A.106794	60993	Screw Type B No. 4 X 1/4" Rec. Pan Head
5	A.109928	60994	Screw ISO M3 X 6 Pan Head
6	A.104077	60995	"C" Ring
7	A.109897	60996	Mounting Spindle
8	A.109929	60997	Screw Type B No. 8 X 3/4" Rec. Pan Head
9	A.102126	60998	Solder Lug
10	A.109718	60999	Strain Relief
11	A.109980	61000	Grommet
12	A.109893	61001	Support Bracket
13	A.109586	61002	Drive Belt
14	C.109709	61003	Mounting Bracket
15	A.109918	61004	50 Hz Motor Pulley Assy.
	A.109802	61005	60 Hz Motor Pulley Assy.
16	A.109930	61006	Set Screw ISO M3 X 3.5 Flat End
17		61007	F.P. 40 Motor Assy.
18	A.105472	61008	Wire Nut
19	B.109606	61009	Bracket (L.H.)
20	A.109931	61010	Hex. Socket Set Screw ISO M3 X 4 Cup End
21	A.109796	61011	Head Lifter Riv. Assy.
22	A.109782	61012	Spring
23	A.109932	61013	Screw ISO M3 X 12 Cheese Head
24	A.106512	61014	Screw Type BT 4-24 X 1/4" Rec. Pan Head
25*			Switch Cover
26*			Fixed Contact Carrier Assy.
27*	B.10965	61015	Solder Lug
28*			Switch Button
29*			Moving Contact Carrier Assy.
39*			Retaining Strip
31*			Switch Body
32	A.106945	61016	4 BA Full Nut
33	A.106918	61017	4 BA Lockwasher
34	B.109604	61018	Bracket (R.H.)
35	A.102109	61019	"C" Ring
36	A.109612	61020	Detent Pivot
37	A.109610	61021	Roller Pin
38	A.109587	61022	Detent Spring
39	B.109602	61023	Detent Lever
40	A.109582	61024	Roller (Short)
41	A.108334	61025	"C" Ring
42	A.109582	61026	Roller (Short)
43	B.109799	61027	Switch Slide Riv. Assy.
44	A.109617	61028	Switch Pin
45	A.106073	61029	Spring
46	A.105660	61030	Washer
47	A.109599	61031	Pawl

SWITCH ASSEMBLY

*Available only as an assembly No. 61015 Switch Box Assembly

REF. NO.	BSR PART NUMBER	NUTONE PART NO.	DESCRIPTION
48	A.109613	61032	Washer
49	A.109585	61033	Spring
50	A.109615	61034	Core Pin
51	A.109726	61035	Spring
52	A.109792	61036	Cam Assy.
53	A.109596	61037	Washer
54	B.109801	61038	Bearing Housing Assy.
55	C.109887	61039	Mainplate Riv. Assy.
56	B.109588	61040	Tape Guard
57	A.106506	61041	Screw Type B No. 2 X 1/4" Rec. Pan Head
58	A.109621	61042	Screw
59	A.109793	61043	Control Plate Assy.
60	A.109725	61044	Pawl Spring
61	A.109933	61045	Set Screw ISO M3 X 8 Rad. End
62	A.109620	61046	Pawl Pivot
63	A.109939	61047	Switch Assy.
64	A.109813	61048	Solenoid Bobbin Assy.
65	A.109734	61049	2 Stage Pre-Amplifier
66	A.109736	61050	Bulb (Black Leads)
67	A.109618	61051	Core Plug
68	A.109654	61052	Washer
69	A.109711	61053	Button
70	A.109724	61054	Button Spring
71	A.102108	61055	"C" Ring
72	A.109938	61056	Switch Base and Contacts Assy.
73	A.109712	61057	"C" Ring
74	A.109855	61058	ISO M3 Full Nut
76	B.109707	61059	Front Cover Riv. Assy.
77	A.109727	61060	Door Spring
78	B.109723	61061	Door
79	A.109706	61062	Hinge Pin
80	A.109934	61063	Screw Type B No. 4 X 1/2" Rec. Pan Head
81	A.109896	61064	Bulb Holder
82	A.109583	61065	Roller (Long)
83	A.109614	61066	Roller Spindle (Long)
84	B.109708	61067	Play-Back Head
85	B.109798	61068	Tape Contact Assy.
86	B.109908	61069	Front Cover Riv. Assy.
87	B.109601	61070	Guide Plate
88	A.109795	61071	Support Plate Riv. Assy.
89	A.109927	61072	Flywheel Assy.
90	A.109735	61073	Bulb (Red Leads)
91	A.109738	61074	Bulb (Green Leads)
92	A.109737	61075	Bulb (Blue Leads)
93	A.108077	61076	Spring
94	A.109947	61077	Washer
95	A.109989	61078	"C" Ring
96	A.109986	61079	Retainer
97	A.109990	61080	Support-Bracket
103	B.109728	61081	AC Lead Assy.
	A.109860	39265	Program Change (Model 2507 Only)

NuTone

AMPLIFIER OPERATION

(1) The left amplifier is used in the following description. The right amplifier operates in same manner. (Figure S3)

(2) The tape head output is fed through the left input terminal and C1 to the base of the first Class A voltage amplifier Q1.

(3) The audio signal is amplified in Q1 and the output is direct coupled from the collector of Q1 to the Base of Q2.

(4) The amplified output of Q2 is coupled through C5; the left output terminal and the shielded cable.

(4.1) In the Model 2507 the output cable feeds direct to the TAPE input of the 2500 MUSICOM Master Unit (or such other amplifier with which it is used).

(4.2) In the Model 2605 the output is fed through R11 to the left output switching jack J11. (Right channel through R12 to J12)

(4.2.1) The outputs — left and right — are mixed when either or both outputs jacks J11 and J12 are not connected

to a shielded cable (the jacks open when a standard phono plug is inserted), providing a monaural signal for use with monaural amplifiers.

(4.2.2) The isolating resistors R11 and R12 prevent interaction between the left and right amplifiers.

(5) The output signal is a nominal 180 to 220 millivolts when a standard reference tape (3 KHz) is played through the unit.

(6) The amplitude of the output signal may be varied by changing the value of R2 (R9 in right channel).

(6.1) To decrease the output, increase the value of R2 and R9.

(6.2) To increase the output, decrease the value of R2 and R9.

(6.3) Use low-noise, carbon film resistors, ¼ watt.

(7) Overall feedback is fed from the collector of Q2 through the network of R3, C3; and R4 to the emitter of Q1.

ADDENDUM TO REPLACEMENT PARTS LIST

FOR MODELS 2507 AND 2605

8-TRACK TAPE PLAYERS

PC Board's individual resistors and capacitors are not supplied by NuTone. These are standard items and may be locally purchased.

Capacitors should be as indicated in the Schematic Diagram Figure S3.

Resistors should be low-noise, carbon film; ¼ watt; ±10% of the resistive values indicated in the Schematic.

Schematic Symbol	NuTone Part No.	Description	Schematic Symbol	NuTone Part No.	Description
	61049-000	Complete PC Board Assembly (Original production, not available)	R11, R12	33101-472	Resistor, 4.7K ohm + 10%, ¼ watt Low-Noise
	5357A-000	Complete PC Board (Later Production)	Q1, Q3		Transistor, NPN, Planar Silicon, Low Noise: BC209C
	1011A-000	Replacement Parts Kit (Includes 5357A-000) Substitute for 61049-000	Q2, Q4		Transistor, PNP Planar Silicon, Low Noise: BC208
D1, D2	36549-000	Silicon Rectifier, 1 amp, 100 PIV: 1N4002	Q1, Q2 Q3, Q4	36580-000	Transistor NPN Planar Silicon, Low Noise: May be used as substitute for original transistors. G.E. 203A 6329-1, Texas Instrument SKA-4220, Motorola Inc. SPS-1216, National Semiconductor SMO-7329
D3	36617-000	Silicon Switching Diode, 50 ma., 75 PIV; 1N4148, 1N914			
	41559-000	Output Switching Jacks Assembly Complete			
	38657-000	Mounting Plate, Output Jacks			
J11, J12	39243-000	Jacks, Output, Switching, Normally Closed			