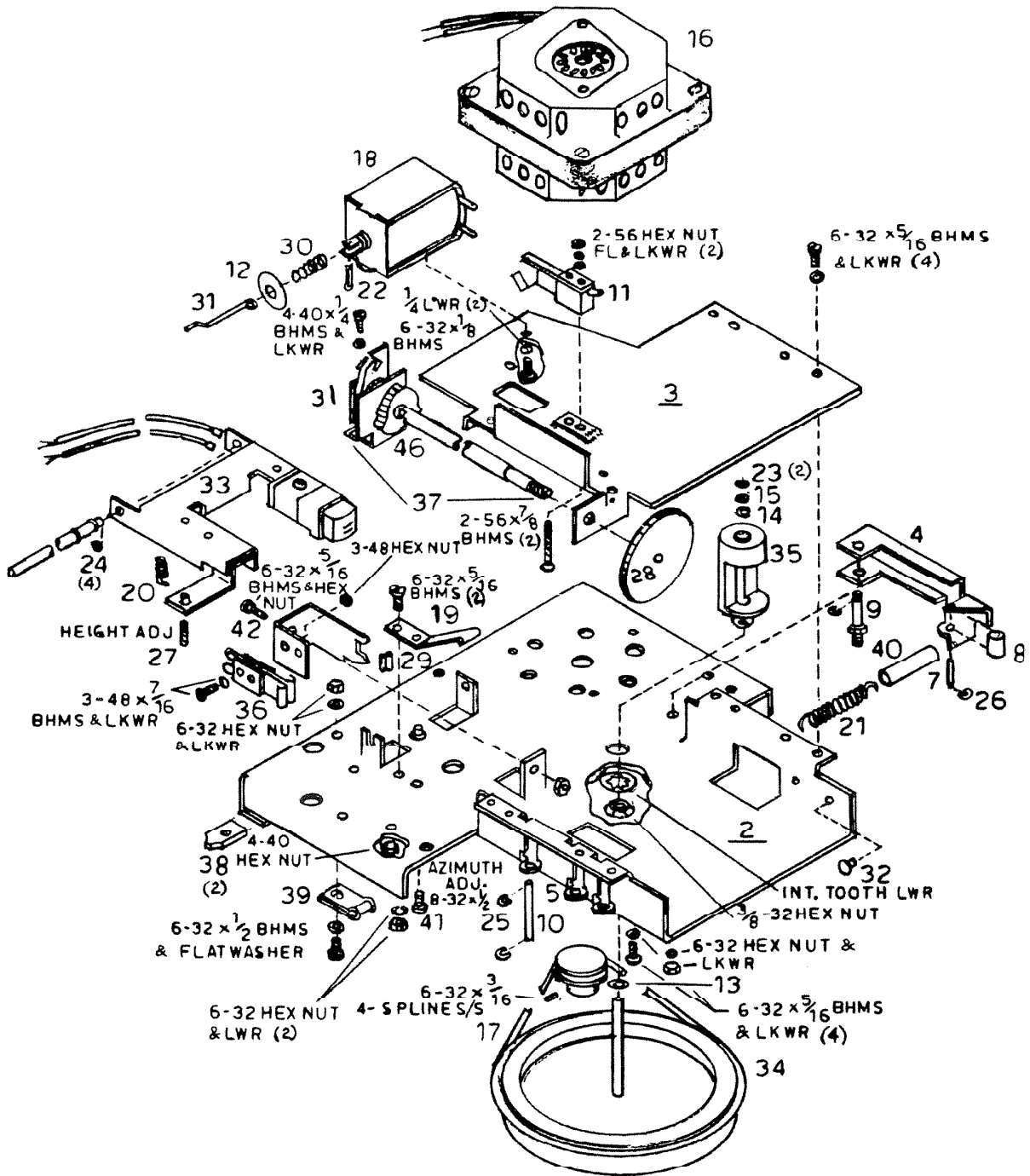


2505



MODEL 2505 MECHANICAL LAYOUT: EXPLODED VIEW

Fig. 4.4

## PARTS LIST—MECHANICAL

DRAWING REF. NO.	NUTONE PART NO.	DESCRIPTION
2	59929	Chassis
3	59930	Chassis Cover
4	59931	Arm
5	59932	Side Guide
6	59933	Head Pivot
7	59934	Roller Pin
8	59935	Roller
9	59936	Pivot
10	59937	Motor Pulley
11	59938	Switch
12	59939	Spring Retainer
13	59940	Thrust Washer .010
14	59941	Thrust Washer .015
15	59942	Thrust Washer .031
16	59943	Motor, 110-120 Volt 60 Hz.
17	59944	Capstan Belt
18	59945	Solenoid
19	59946	Flat Spring
20	59947	Azimuth Spring
21	59948	Hold-in Spring
22	59949	Cotter Pin
23	59950	3/16 "E" Ring
24	59951	1/8 Bowed "E" Ring
25	59952	1/8 "E" Ring
26	59953	1/16 "E" Ring
27	59954	Screw, Head Height Adjust
28	39094	Program Indicator Dial
29	59956	Guide Insert
30	59957	Solenoid Spring
31	59958	Wire Form
32	59959	Bumper
33	59960	Head Bracket Assembly
34	59961	Flywheel Assembly
35	59962	Capstan Housing Assembly
36	59963	Contacter Assembly
37	59964	Ratchet Assembly
38	59965	Timmerman Clip
39	59966	Cable Clamp
40	59967	Spring Sleeve
41	59968	Screw, Azimuth Adjust
42	60142	Tape Guide Bracket
45	31927	Fibre Shield Over Switch SW1
46	60144	Indicator Shaft
47	36066	Tape Player Assy.
48	41114	Mounting Plate Assy.
49	38227	Mounting Plate
50	38228	Cover Plate
51	39093	Slide Cover (Cartridge)
52	39066	Lamp Holder
53	39091	Speed Nut, Tinnerman #6
54	39092	Knob, Push Switch
55	31967	Cable Clamp
56	41115	Front Panel Assy.

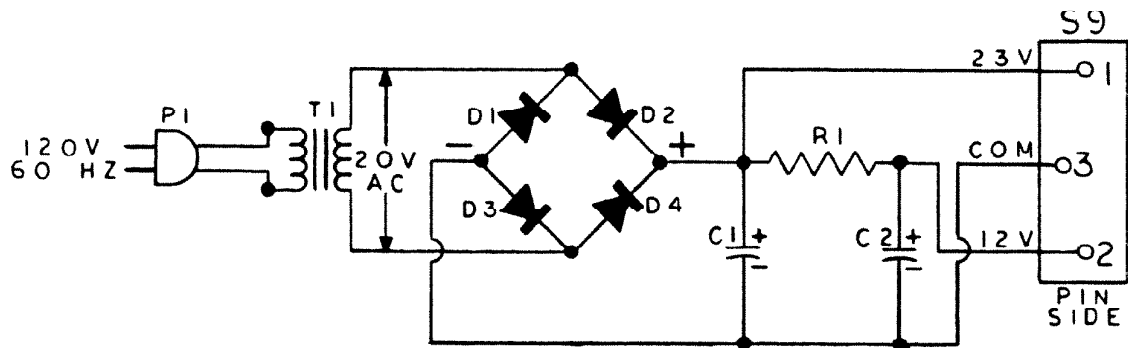
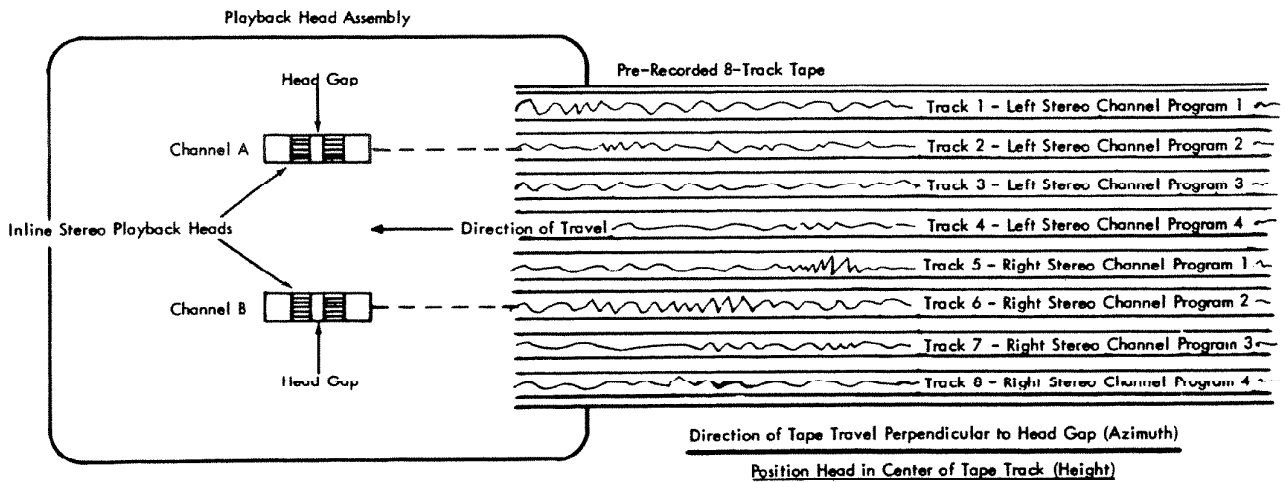


Fig. 4.5

SCHEMATIC SYMBOL	NUTONE PART NO.	DESCRIPTION
C1, C2	35121	Capacitor, Electrolytic Filter, 500 mfd. @ 50 Volts
D1, D2, D3, D4	36549	Rectifiers, Silicon Diode, 1 A., 100 PIV, Motorola 1N4001 (or equivalent)
P1	32577	Standard AC Plug and 84" cable Assembly
R1	33101-222	Resistor, 2.2 K ohm, 1/2 watt, 10% tolerance
S9	31446	Socket, 3-Pin, (Mate P9 of Model 2505)
T1	40228	Transformer, 120 V Pri., 20 V Sec.



RELATIONSHIP BETWEEN PROPERLY ALIGNED HEADS AND PRE-RECORDED TAPE

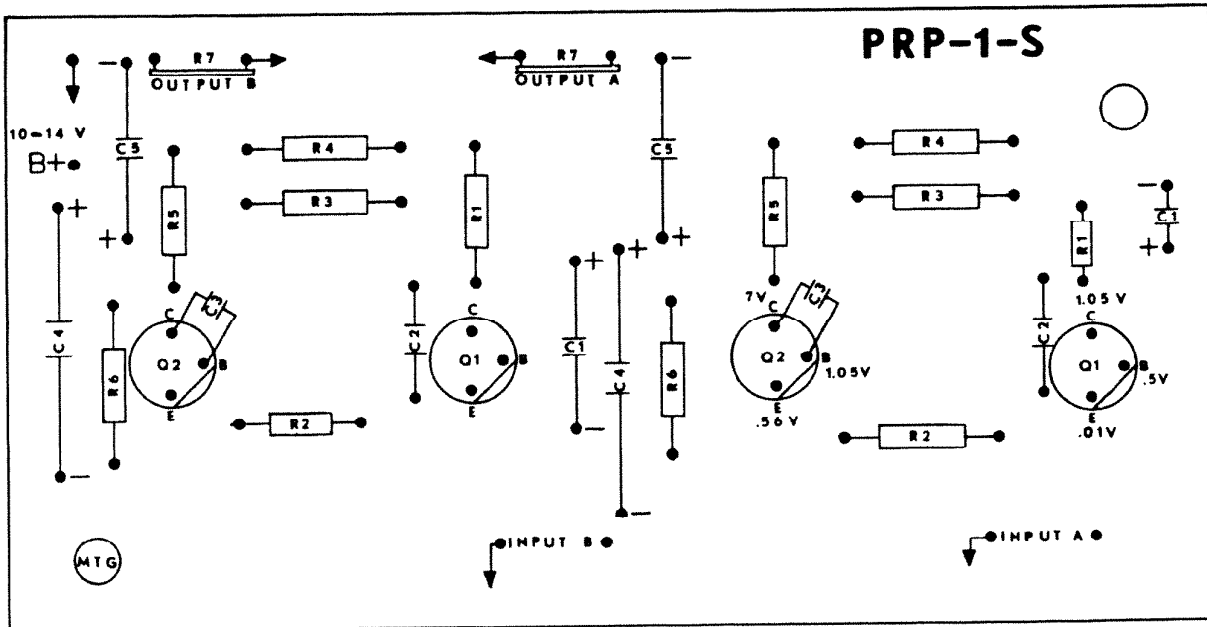
Fig. 4.6

### ALIGNMENT-GENERAL

#### 1. HEIGHT

For maximum audio output — free of adjacent channel interference (crosstalk) — the playback head(s) should be centered in the recorded track(s) being played. (Fig. 4.6)

The .050 Allen Head Height Adjustment Screws (27) controls the movement of the Cam of the Ratchet Assy. (37) which in turn controls the height of the Head Bracket Assy. (33). (Fig. 4.4 and 4.7)



PREAMP PRINTED CIRCUIT BOARD

Fig. 4.9

## ELECTRONICS PARTS LIST

SCHEMATIC SYMBOL NO.	NUTONE PART NO.	DESCRIPTION
C1		Capacitor, 20 microfarads @ 15 V. Electrolytic
C2		Capacitor, .0047 microfarads @ 1 KV. Disc Ceramic
C3		Capacitor, 100 picofarads @ 1 KV. Disc Ceramic
C4		Capacitor, 200 microfarads @ 6 V, Electrolytic
C5		Capacitor, 5 microfarads @ 15 V, Electrolytic
C13	35068-102	Capacitor, 300 microfarads @ 15 V. Electrolytic
I1	39192	Lamp, Dial Indicator, GE type 1819
M	59943	Motor, Drive, 110-120 VAC 60 Hz.
P1	32650	Plug, 110-120 VAC, complete with line cord
P9	41113	DC supply, complete with wire Assy.
Q1, Q2		Transistor, NPN low noise, 2N-5232-A
R1, R4		Resistor, 100 Kohm, 1/2 Watt, ±10%, Low Noise Carbon Film
R2		Resistor, 100 ohm do
R3		Resistor, 47 Kohm do
R5		Resistor, 5.6 Kohm do
R6		Resistor, 680 ohm do
R7		Resistor, 50 Kohm, variable, Output Control
R19	33101-182	Resistor, 1.8 Kohm, 1/2 watt, ±10%, Carbon Composition
R20	33030-107	Resistor, 2.7 Kohm, 5 watt, ±10%
SW1	59938	Switch, ON/OFF, 110-120 VAC 60 Hz.
SW2	34593	Switch, Push (Program Change)

PART NO. 45880-4