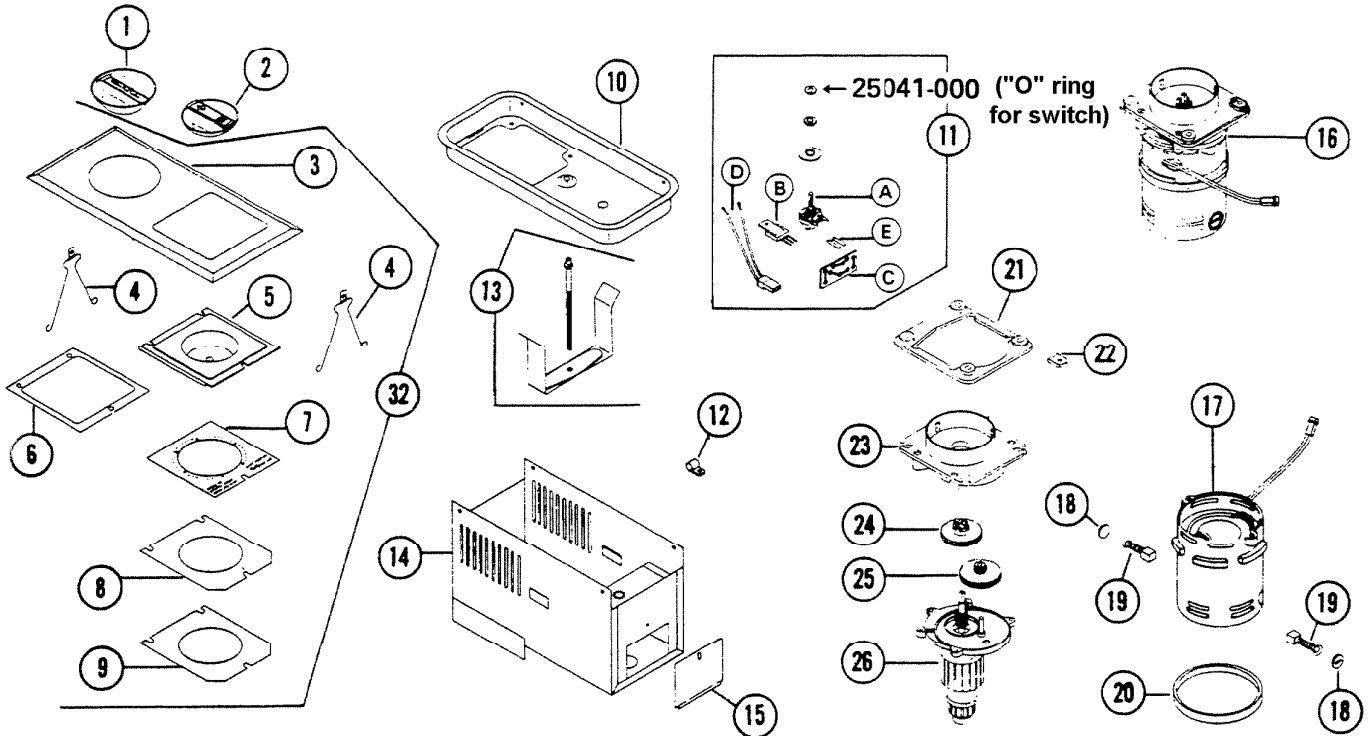


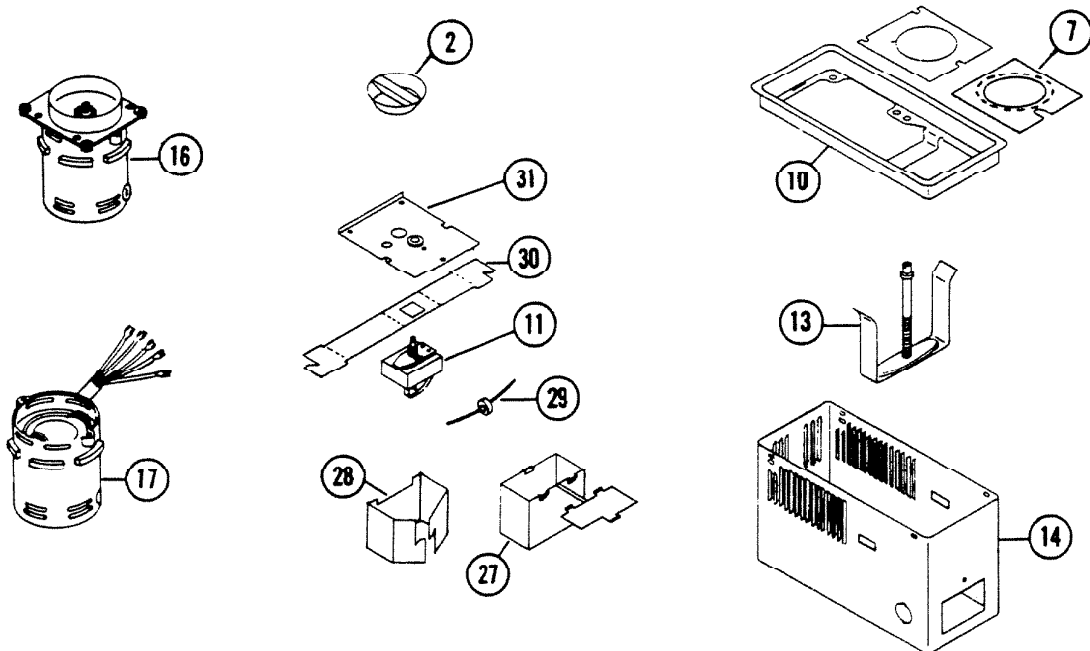
PARTS LIST

EFFECTIVE DATE	MODEL	PRODUCT GROUP
AUGUST 1978	250 REVISED 251 - NEW	FOOD CENTER



MODEL 251

MODEL 250



NuTone

(PLEASE SEE OTHER SIDE)

NOTE: Always order by current part number.

REF.	ORIGINAL PART NO.	* PART DESCRIPTION	MODEL USED ON	CURRENT REPLACEMENT PART NO.
1	64826	WELL COVER	250/251	64826-000
2	64825	CONTROL KNOB	250	64825-000
	67743		251	1231A-000
3	64814	TOP PLATE	250/251	1019A-000
4	69479	SPRING CLAMP ASSY.	250/251	69479-000
5	64818	CONTROL KNOB WELL	250/251	1231A-000
6	64817	SWITCH WELL GASKET	250/251	64817-000
7	64819	SPEED DATA PLATE	250	64819-000
	67741		251	67741-000
8	64820	PAD	250/251	Void-Not Available
9	64821	BACK-UP PLATE	250/251	64821-000
10	64796	MOTOR SUPPORT PLACE	250	64796-005
	67728		251	67728-005
11	64836	SWITCH COMP.	250	Void-Not Available
	69436		251	1079A-000
11A	67733	POTENTIOMETER	251	67733-000
11B	67734	PHASE CONTROL	251	67734-000
11C	67732	P.C. BOARD ONLY	251	67732-000
11D	69437	PLUG ASSY.	251	69437-000
11E	67821	JUMPER BUSS	251	Void-Not Available
12	64871	CABLE CLAMP	250	64871-000
	39003		251	39003-000
13	69474	CLAMP BRACKET ASSY.	250	Void-Not Available
	1006A		251	1006A-000
14	64789	HOUSING ASSY.	250	Void-Not Available
	67722		251	67722-005
15	17379	OUTLET BOX COVER	250/251	17379-000
16	64798	MOTOR COMP	250	Void-Not Available
	67738		251	67738-000
17	69469	FIELD W/MOTOR HOUSING	250	Void-Not Available
	1042A		251	1042A-000
18	69476	BRUSH CAP (1)	250/251	Void-Not Available
19	69472	BRUSH SET (2)	250	69472-000
	1013A		251	1013A-000
20	64799	AIR BAFFLE ASSY.	250/251	64799-000
21	69481	MOTOR MTG. GASKET	250	67739-000
	67739		251	
22	64809	GROUND STRAP	250/251	64809-000
23	29477	GEAR BOX HOUSING	250	Void-Not Available
	69477		251	
(CONTINUED)				

REF.	ORIGINAL PART NO.	* PART DESCRIPTION	MODEL USED ON	CURRENT REPLACEMENT PART NO.
24	69442	GEARED CLUTCH – METAL	250/251	69442-000
25	69441	GEAR ASSY. – FIBER	250/251	69441-000
26	69440	ARMATURE – BEARING PLATE ASSY.	250	Void-Not Available
	1014A		251	1014A-000
27	69410	SWITCH BOX ASSY.	250	Void-Not Available
28	64860	ENCLOSURE RETAINER	250	Void-Not Available
29	64805	DIODE	250	Void-Not Available
30	64859	SWITCH ENCLOSURE	250	Void-Not Available
31	64802	SWITCH PLATE	250	Void-Not Available
32	64813	TOP PLATE ASSY COMP.	250	Void-Not Available
	67742		251	67742-000
		GREASE		69464-000