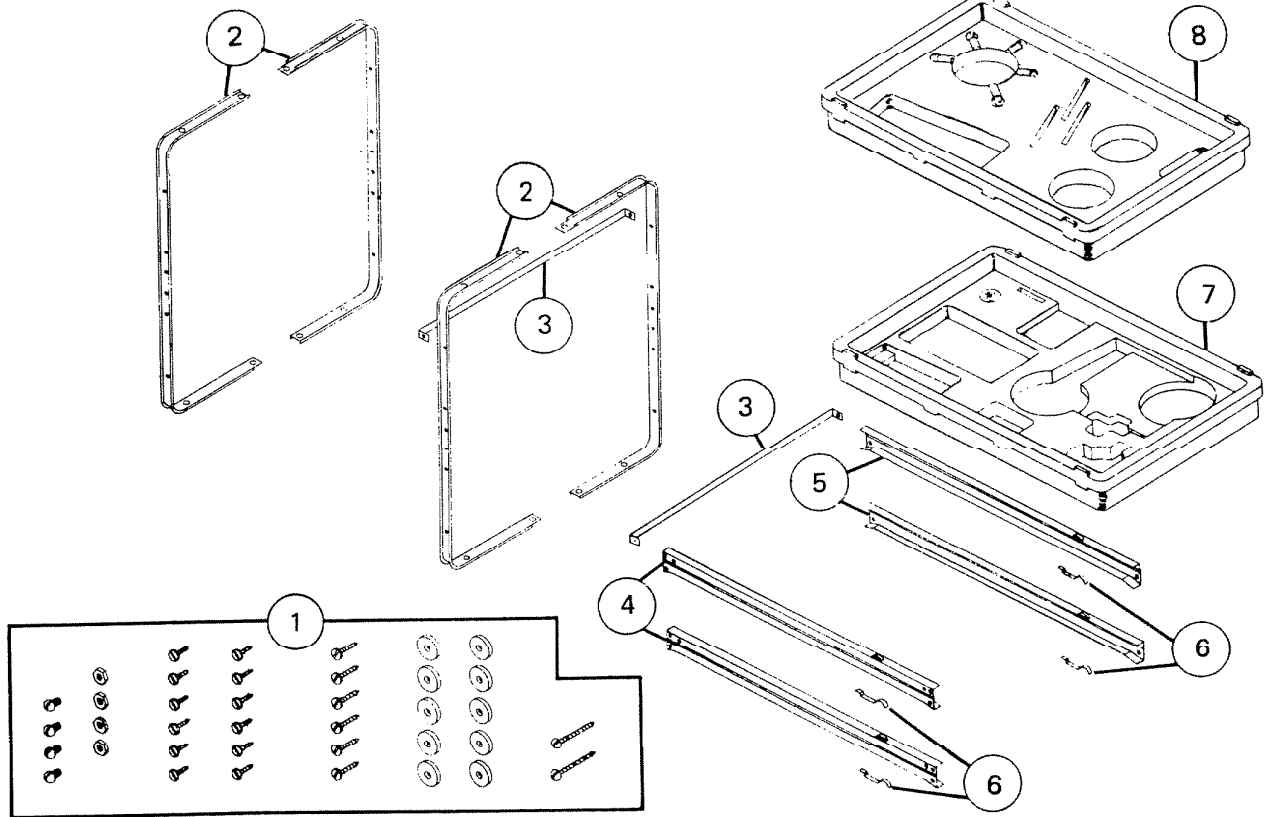


PARTS LIST

EFFECTIVE DATE	MODEL		PRODUCT GROUP
MARCH 1982	243	REVISED	FOOD CENTER
	243N	NEW	



REF	ORIGINAL PART NO.	PART DESCRIPTION	MODEL USED ON	CURRENT REPLACEMENT PART NO.
1	68207	ENVELOPE ASSEMBLY (MTG. HDWE.)	243, 243N	68207-000
2	68205	TRACK FRAME (1) - 4 REQUIRED	243, 243N	68205-005
3	68548	TIE STRAP (1) - 2 REQUIRED	243, 243N	68548-005
4	68549	GUIDE TRACK ASSEMBLY L.H. (1)	243, 243N	68549-000
5	68550	GUIDE TRACK ASSEMBLY R.H. (1)	243, 243N	68550-000
6	68204	TRAY CATCH	243, 243N	68204-000
7	68546	ATTACHMENT TRAY NO. 2	243, 243N	52992-000
	52992			
8	68545	ATTACHMENT TRAY NO. 1	243, 243N	68545-000

NuTone

Housing Group

Scovill

PRINTED IN U.S.A.

NOTE: Always order by current part number.

PL-243, 243N - REV. 3/82