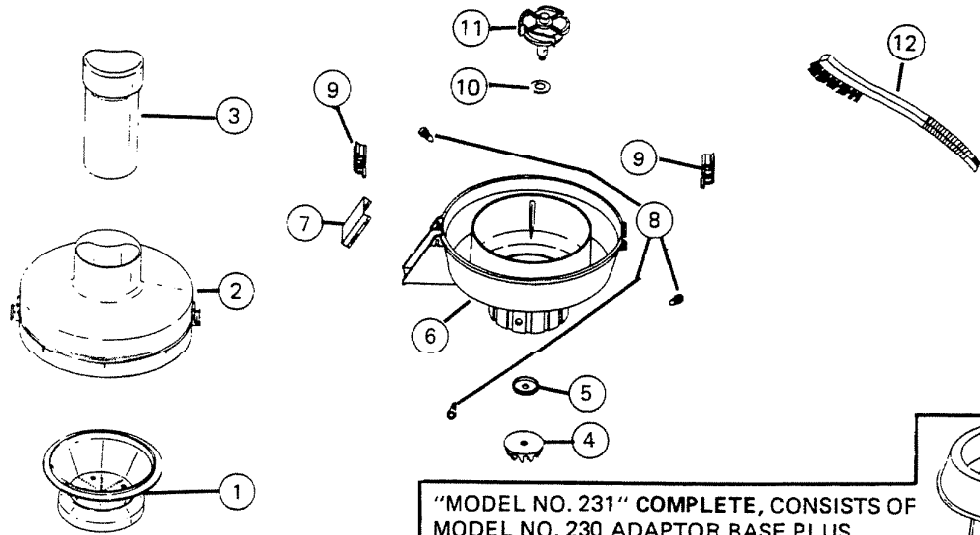


PARTS LIST

EFFECTIVE DATE	MODEL	PRODUCT GROUP
APRIL 1985	231 NEW	FOOD CENTER



"MODEL NO. 231" COMPLETE, CONSISTS OF MODEL NO. 230 ADAPTOR BASE PLUS ABOVE PARTS. FOR PART BREAKDOWN OF ADAPTOR SEE MODEL 230 PARTS LIST.

REF.	ORIGINAL PART NO.	* PART DESCRIPTION	MODEL USED ON	CURRENT REPLACEMENT PART NO.
1	6896A	CUTTER BASKET	231	6896A-000
2	6897A	UPPER HOUSING COMPLETE	231	6897A-000
3	6898A	PUSHER	231	6898A-000
4	2750A	CLUTCH - TAPPED	231	2750A-000
5	2751A	CUP WASHER	231	2751A-000
6	2752A	LOWER HOUSING W/BEARING	231	2752A-000
7	7559A	SPOUT SHIELD	231	7559A-000
8	2753A	FRICTION PAD SET	231	2753A-000
9	2754A	LATCH (1) 2 REQUIRED	231	2754A-000
10	2755A	WASHER	231	2755A-000
11	2756A	DRIVE SHAFT ASSEMBLY	231	2756A-000
12	6899A	CLEANING BRUSH	231	6899A-000

NuTone

Housing Group

Scovill

PRINTED IN U.S.A.

NOTE Always order by current part number.