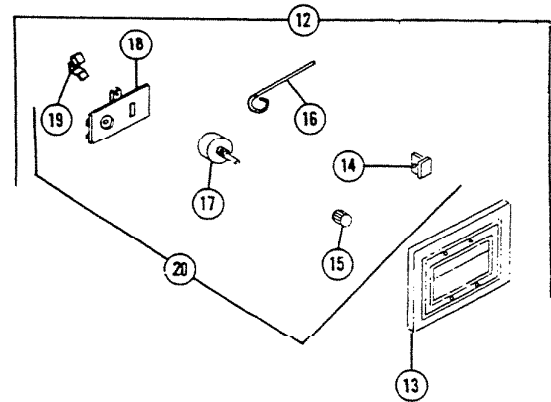
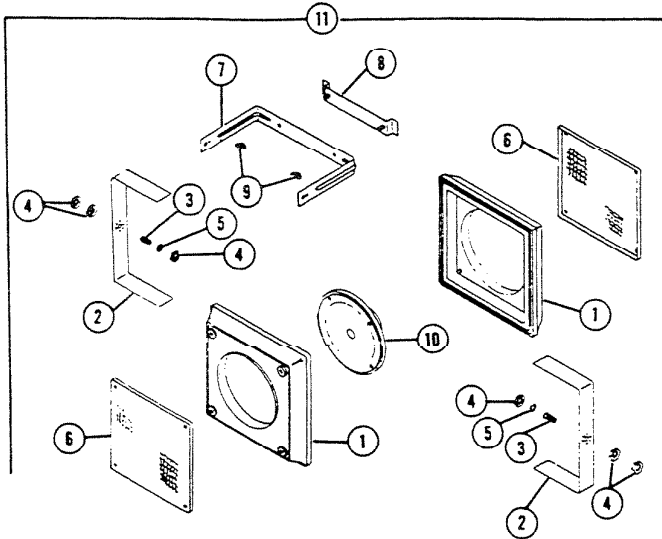


PARTS LIST

MODEL	2018 OUTDOOR SPEAKER ELECTRONICS
EFFECTIVE DATE	JANUARY, 1973



REF	ORIGINAL PART NO	PART DESCRIPTION	MODEL USED ON	CURRENT REPLACEMENT PART NO
1	38423-000	Outdoor Speaker Housing (2 required)		38423-000
2	38424-014	Connecting Strap (2 required)		38424-014
3	39267-000	Bushing (2 required)		39267-000
4	39268-015	Nut (6 required)		39268-015
5	11472-007	Lockwasher (2 required)		11472-007
6	38425-000	Grille (2 required)		38425-000
7	38447-014	Speaker Mounting Bracket		38447-014
8	41365-000	Wall Hanger Bracket Assy.		41365-000
9	63102-000	Wing Nut (2 required)		63102-000
10	36073-000	Speaker - 3.2 Ohms		36073-000
11	41361-000	Outdoor Speaker		41361-000
12	41366-000	Bezel Assy. Complete		41366-000
13	32461-000	Bezel		32461-000
14	31453-000	Pushbutton		31453-000
15	39251-000	Volume Knob		32550-051
16	32550-051	Contact Wire		32550-051
17	34057-000	Potentiometer		34057-000

PLEASE SEE OTHER SIDE

NuTone

Order Parts From:
 Parts Department c/o NuTone
 P.O. Box 27 • Cincinnati, Ohio 45227

NOTE: Always order by current part number.

REF.	ORIGINAL PART NO	PART DESCRIPTION	MODEL USED ON	CURRENT REPLACEMENT PART NO.
18	32460-000	Insert		32460-000
19	31405-051	Contact		31405-051
20	69859-000	Control Insert Assy.		69859-000
-	41369-000	Envelope Assy. (not shown)		41369-000