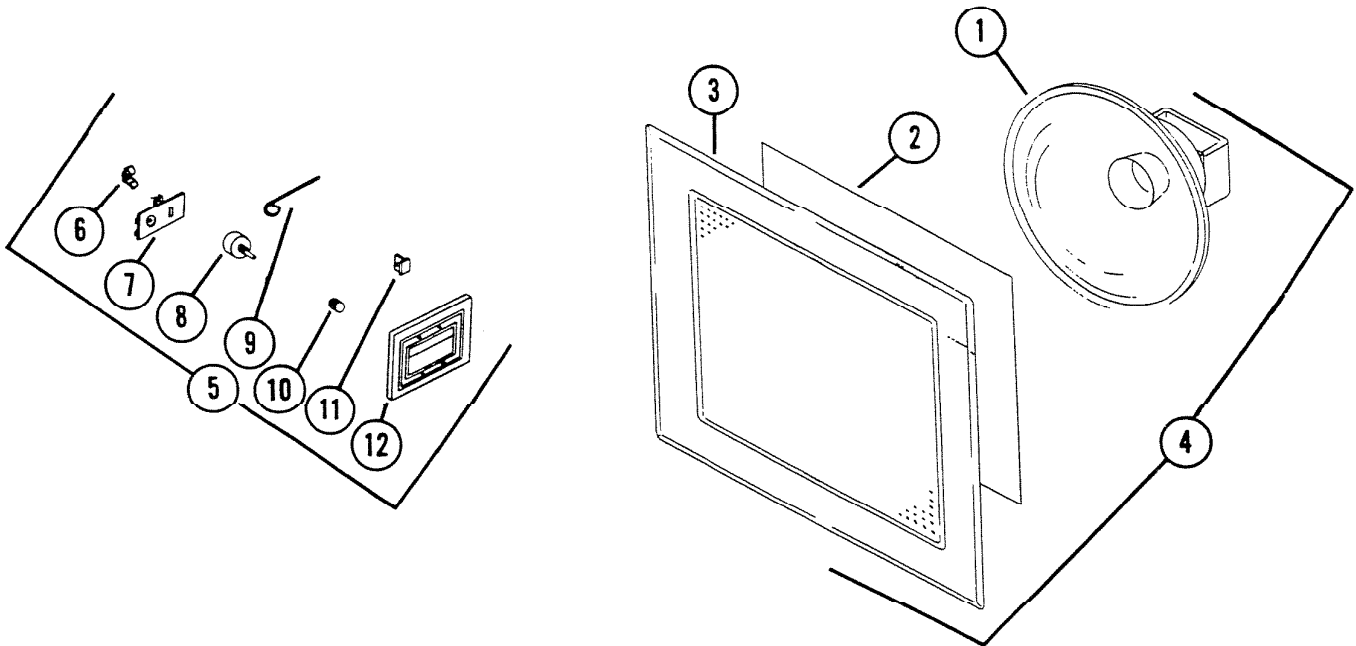


EFFECTIVE DATE

July 15, 1970

NuTone PARTS LIST

MODEL
2014 Speaker
Electronics



REF.	PART NO.	*Part used on other model/s	PART DESCRIPTION
1	36044		Speaker 8" 3.2 Ohms
2	32181		Panel Back
3	32180		Panel
4	40268		Panel Assembly (Ref. No's. 1, 2 and 3)
	40302		Bezel Assembly
6	31405		Contact (2 Required)
7	32460		Patio Remote Insert
8	34020		Potentiometer
9	32550		Contact Wire
10	31452		Knob - Volume
11	31453		Pushbutton
12	32461		Bezel
13	40259		Envelope Assembly (NOT SHOWN)
14	32035		"A" Frame (NOT SHOWN)

Order Parts From: PARTS DEPT. C/O

NuTone **SCOVILL**

DIVISION

Madison and Red Bank Rds., Cincinnati, O. 45227