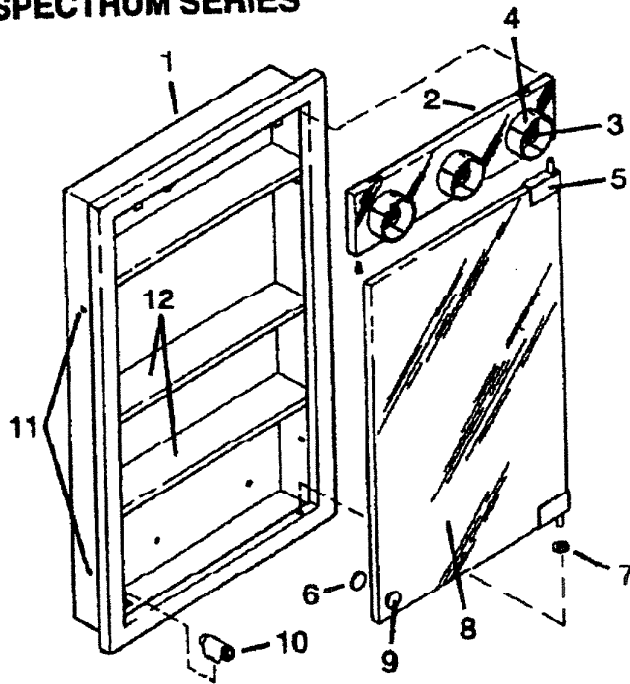


## SERVICE PARTS

### SPECTRUM SERIES



KEY NO.	DESCRIPTION	PART NUMBER 18"
1	Body/Frame Assembly, White	SA97014442
2	Reflector	SA98009184
3	Light Socket Assembly (3 sockets)	SA99271188
4	Chrome Cup	S1034C
5	Hinge	S7175
6	Metallic Disc	S7188
7	Nylon Washer	S7185
8	Mirror	SA99050198
9	Urethane Disc	S99100527
10	Magnet	S99680015
11	Hole Plug	S99110570
12	Shelf	SA98009037