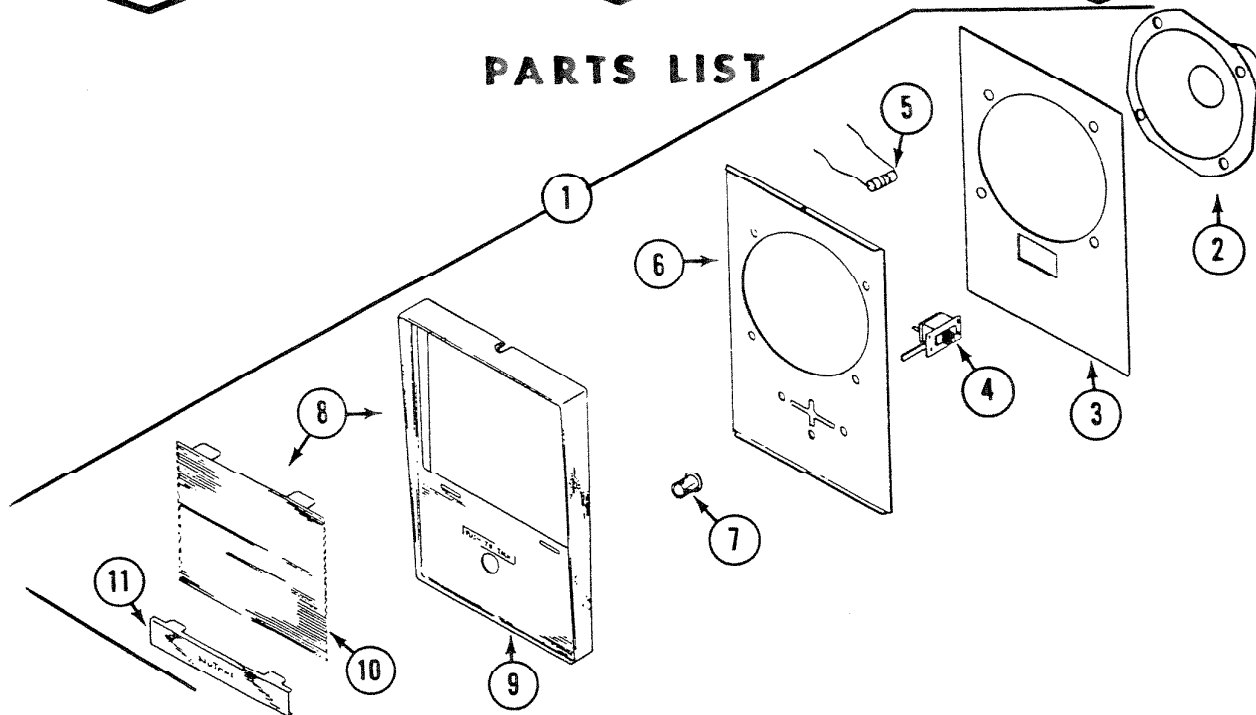


EFFECTIVE DATE
December 1, 1968

NuTone

MODEL
2008
Speaker

PARTS LIST



REF.	PART NO.	PART DESCRIPTION
1	40580	"B" Unit Complete.
2	36003	Speaker
3	45142	Gasket
4	34566	Plunger Switch
5	33101-220	Resistor
6	32328	Baseplate
7	31458	Knob
8	40582	Panel Assembly (Ref. No' s. 9, 10, & 11)
9	32325	Panel
10	32326	Grille
11	32327	Nameplate

PRICES SUBJECT TO CHANGE WITHOUT NOTICE

Order Parts From: PARTS DEPT. C/O

NuTone **SCOVILL**

DIVISION

Madison and Red Bank Rds., Cincinnati, O. 45227

*Part used on other model/s

Printed in the U.S.A.