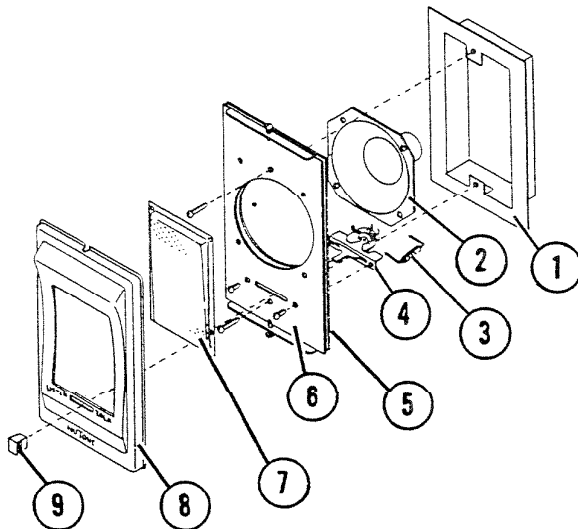


EFFECTIVE DATE  
July 15, 1970

# NuTone PARTS LIST

MODEL  
2007  
ELECTRONICS



REF.	PART NO.	*Part used on other model/s	PART DESCRIPTION
1	40077		"A" Housing
2	36003		Speaker
3	33101-680		68 Ohm 1/2 Watt Resistor
4	34513		Lever Switch
5	45142		Gasket
6	32328		Baseplate
7	8447		Screen
8	32065		Panel
9	7707		Knob

Order Parts From: PARTS DEPT. C/O

**NuTone** **SCOVILL**

DIVISION

Madison and Red Bank Rds., Cincinnati, O. 45227