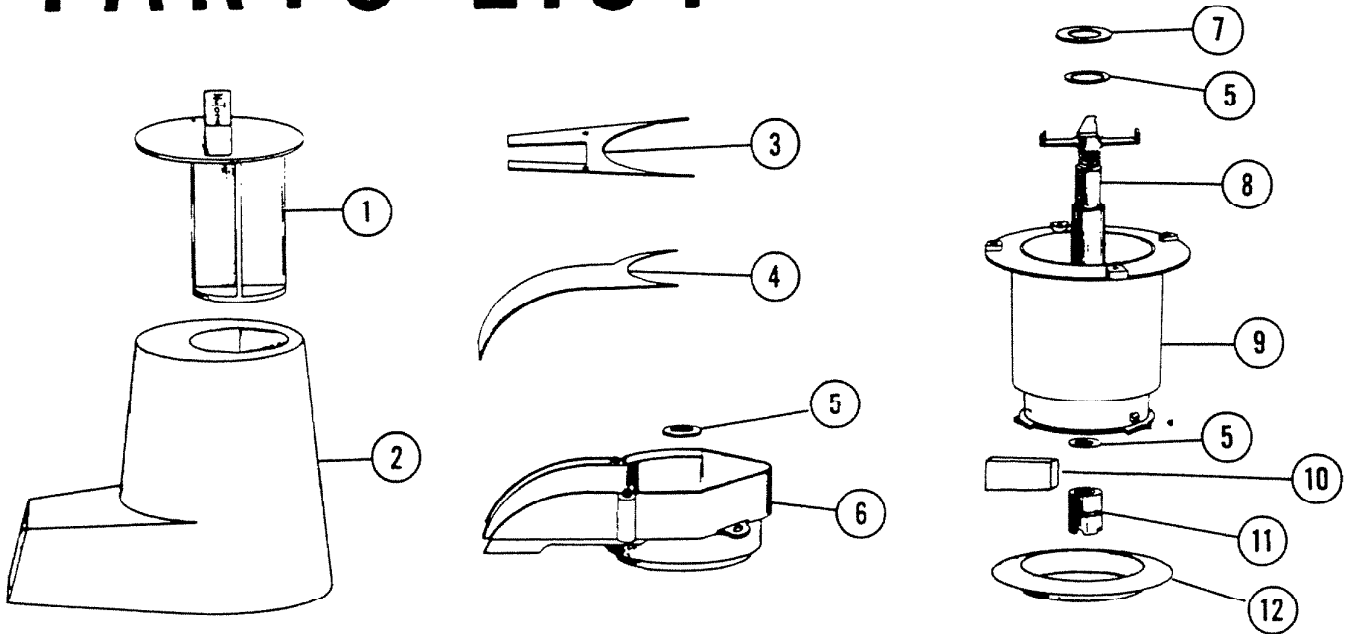


PARTS LIST

MODEL	180 - 280 ICE CRUSHER
EFFECTIVE DATE	MARCH, 1973



REF.	ORIGINAL PART NO.	* PART DESCRIPTION	MODEL USED ON	CURRENT REPLACEMENT PART NO.
1	26593-000	CAP TAMPER	180 280	26593-000
2	26575-000 26580-235	TOP COVER ASSEMBLY	180 280	26580-235
3	26581-000	COVER PLATE	180 280	26581-000
4	26571-000	BOWL COVER	180 280	26571-000
5	26576-000 26573-000	WASHER (BRASS) THRUST	180 280	26573-000
6	26565-000 26566-000	BOWL W/BEARING	180 280	69491-000
7	08398-000	WASHER - RETAINER	180 280	08398-000
8	26577-000 25910-000	CUTTER & SHAFT ASSEMBLY	180 280	25909-000
9	26562-000	BASE ASS'Y. (REF: Nos. 9, 5, 10, 11, & 12)	180 280	26562-000
10	25095-000	DRIVE KEY	180 280	25095-000
11	25165-000	CLUTCH	180 280	25165-000
12	26564-000	SEAL (RUBBER)	180 280	26564-000

NuTone

Order Parts From:
Parts Department c/o NuTone
P.O. Box 27 • Cincinnati, Ohio 45227

NOTE: Always order by
current part number