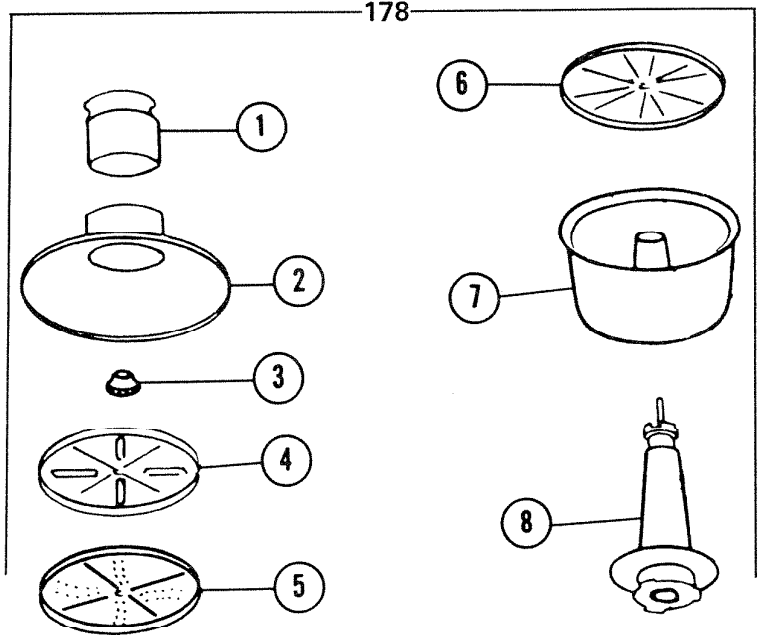
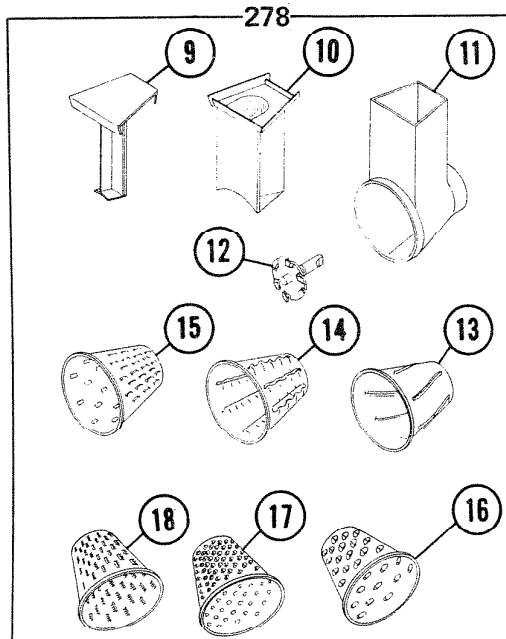


# PARTS LIST

<b>MODEL</b>	178 - 278 SHREDDER - SLICER
<b>EFFECTIVE DATE</b>	JULY, 1973



REF	ORIGINAL PART NO	* PART DESCRIPTION	MODEL USED ON	CURRENT REPLACEMENT PART NO.
1	25485-000	PLUNGER	178	25485-000
2	25580-000	COVER ASSEMBLY	178	25580-000
3	25480-000	PLATE LOCK NUT	178	25480-000
4	25490-000	SLICER PLATE (THICK)	178	25490-000
5	25484-000	SHREDDER PLATE	178	25484-000
6	25483-000	SLICER PLATE (THIN)	178	25483-000
7	25238-000	BOWL	178	Void-Not Available
8	25469-000	TURNTABLE ASSEMBLY	178	Void-Not Available
9	65187-000	TAMPER CORE	278	65187-000
10	65186-000	TAMPER BODY	278	65186-000
11	65175-000	HOUSING ASSEMBLY	278	65175-000
12	65183-000	DRIVE ASSEMBLY	278	65183-000
13	65188-000	SLICER CONE - THIN #7	278	65188-000
14	65247-000	SCALLOPER CONE #8	278-282	65247-000
15	65246-000	FLAKER CONE #4	278-282	65246-000
16	65189-000	SHREDDER CONE - COURSE #5	278	65189-000
17	65245-000	SHREDDER CONE - FINE #1	278-282	65245-000
18	65190-000	GRATER CONE - #3	278	65190-000

NuTone

Order Parts From:  
Parts Department c/o NuTone  
P.O. Box 27 • Cincinnati, Ohio 45227

NOTE: Always order by  
current part number.

PL-178-278