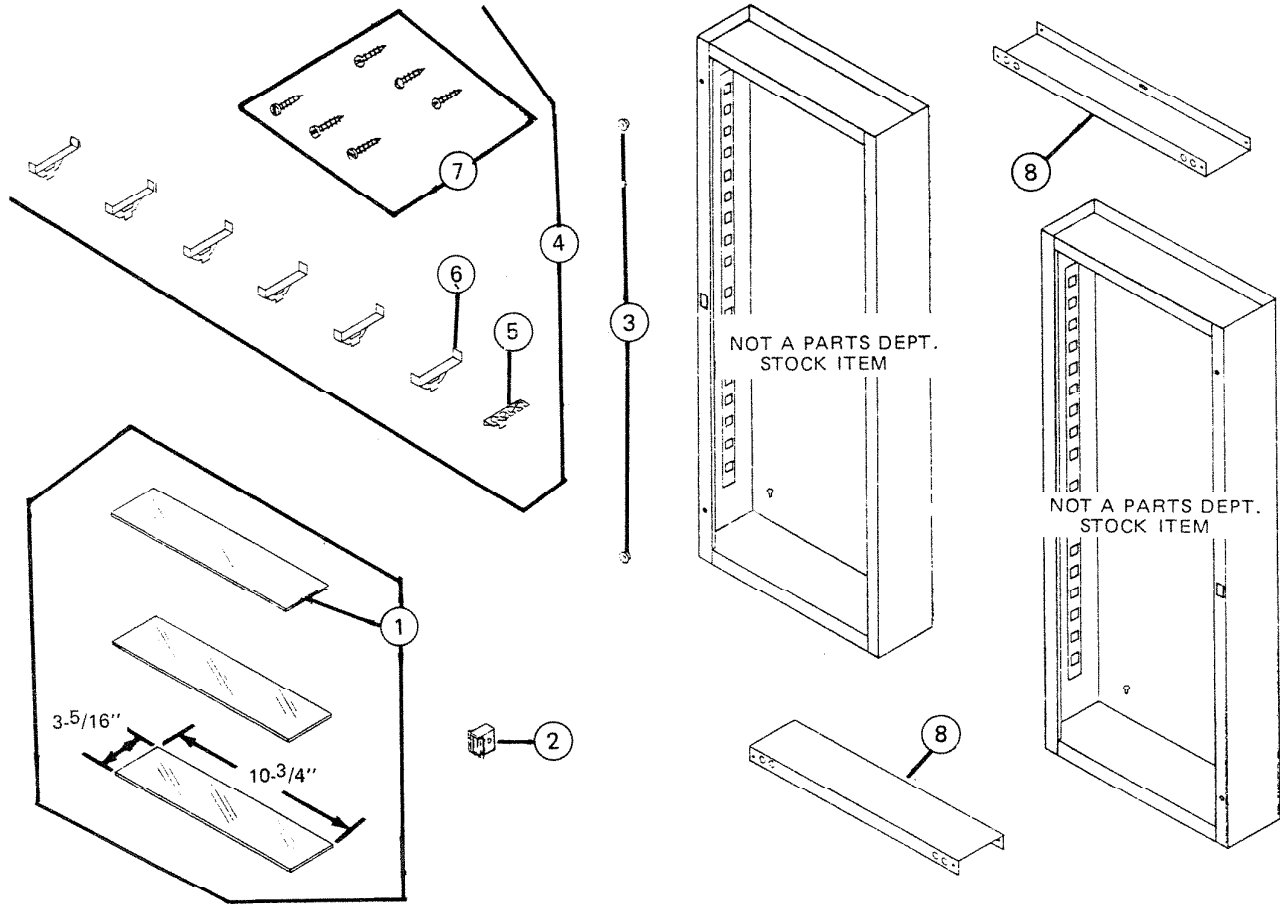


PARTS LIST

EFFECTIVE DATE	MODEL	PRODUCT GROUP
NOV. 1981	1250SM REVISED	BATH CABINET



REF.	ORIGINAL PART NO.	PART DESCRIPTION	MODEL USED ON	CURRENT REPLACEMENT PART NO.
1	90941	SHELF 3-5/16" x 10 3/4"	1250SM	90941-000
	90940			90940-000
2	90916	CATCH - MAGNETIC	1250SM	90916-000
3	90069	BUMPER SET - 2	1250SM	2093A-000
4	90942	HARDWARE SET	1250SM	90942-000
5	92264	TOOTHBRUSH HOLDER	1250SM	92264-000
6	90589	SHELF SUPPORT (1)	1250SM	90589-000
7	90040	MOUNTING SCREW SET (6)	1250SM	69781-000
8	92949	MOUNTING BRACKET - LONG (1) - 2 REQUIRED	1250SM	92949-206

NuTone

NOTE: Always order by current part number.