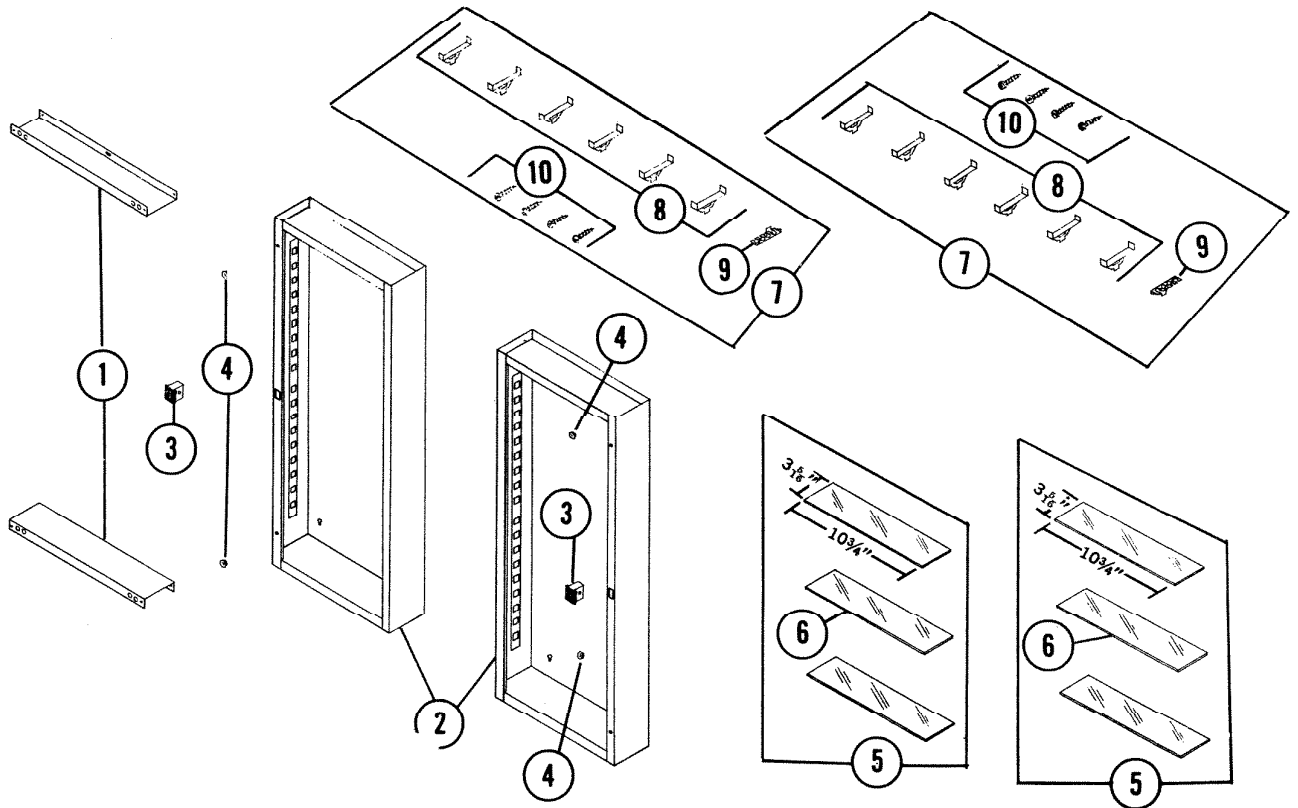


PARTS LIST

EFFECTIVE DATE	MODEL	PRODUCT GROUP
APRIL 1978	1238 SM	BATH CABINET



REF	ORIGINAL PART NO	* PART DESCRIPTION	MODEL USED ON	CURRENT REPLACEMENT PART NO.
1	92948-000	MOUNTING BRKT. (1)	1238 SM	92948-206
2	92947-000	BODY ASSY.	1238 SM	92947-206
3	90916-000	MAGNETIC CATCH	1238 SM	90916-000
4	2093A-000	BUMPER SET	1238 SM	2093A000
5	90940-000	SHELF BUNDLE (1) 2-Sets Required	1238 SM	90940-000
6	90941-000	SHELF (1) 6-Required	1238 SM	90941-000
7	90942-000	HARDWARE SET (1) 2 Sets Required	1238 SM	90942-000
8	90589-000	SHELF SUPPORT (1) 12-Required	1238 SM	90589-000
9	92264-000	TOOTHBRUSH HOLDER (2) Required	1238 SM	92264-000
10	69781-000	SCREW SET	1238 SM	69781-000

NuTone

NOTE: Always order by current part number.