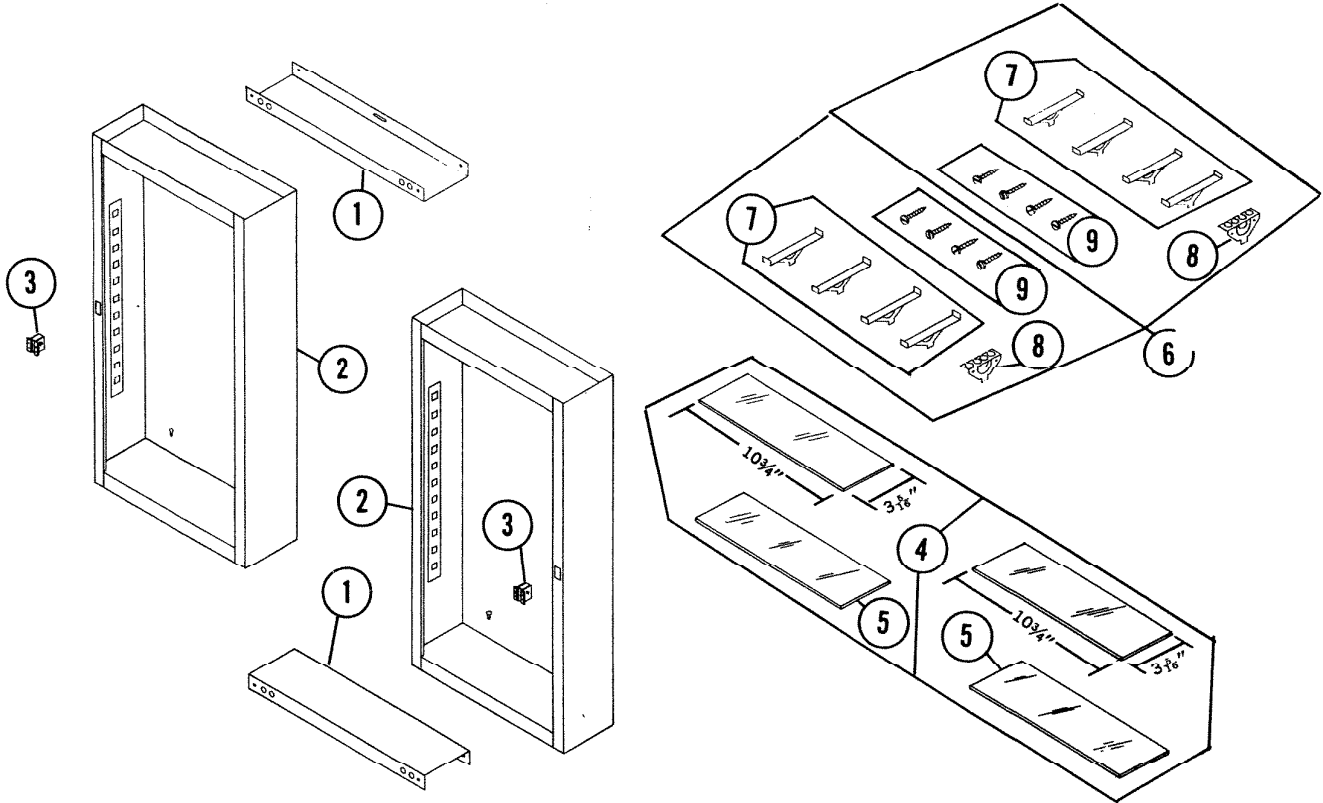


PARTS LIST

EFFECTIVE DATE	MODEL	PRODUCT GROUP
APRIL 1978	1226 SM NEW	BATH CABINETS



REF	ORIGINAL PART NO.	* PART DESCRIPTION	MODEL USED ON	CURRENT REPLACEMENT PART NO.
1	93357-000	MOUNTING BRKT. (1) Top or Bottom	1226 SM	93357-206
2	93354-000	BODY ASSY. (1) L or R	1226 SM	93354-206
3	90916-000	MAGNETIC CATCH (1)	1226 SM	90916-000
4	93368-000	SHELF BUNDLE (2-Shelf) 2- Sets Required	1226 SM	93368-000
5	90941-000	SHELF (1) 4- Required	1226 SM	90941-000
6	92266-000	HARDWARE SET (1) 2- Sets Required	1226 SM	92266-000
7	90589-000	SHELF SUPPORT (1) 8-Required	1226 SM	90589-000
8	92264-000	TOOTHBRUSH HOLDER 2-Required	1226 SM	92264-000
9	69781-000	SCREW SET	1226 SM	69781-000