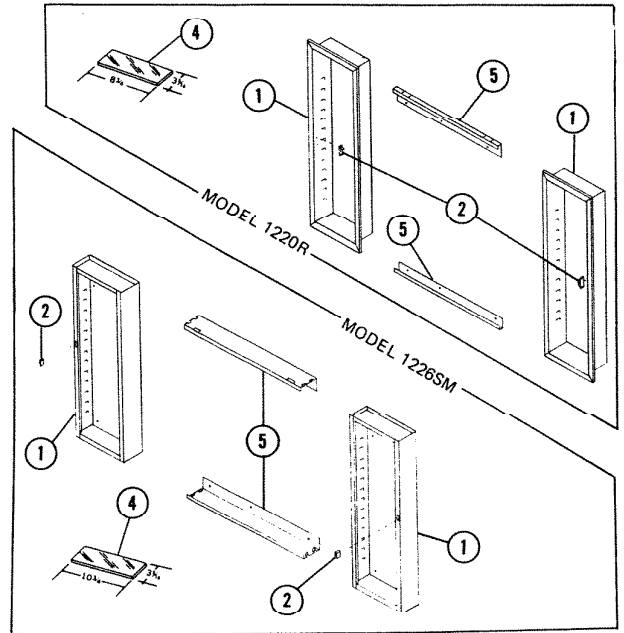
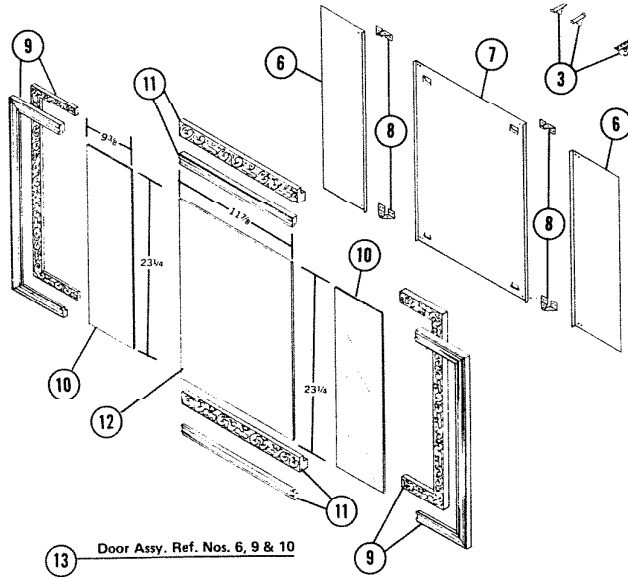


# PARTS LIST

<b>MODEL</b>	1026-BR, 1220-R, 1026-GW, 1226-SM – BATH CABINET
<b>EFFECTIVE DATE</b>	AUGUST, 1975



REF	ORIGINAL PART NO.	* PART DESCRIPTION	MODEL USED ON	CURRENT REPLACEMENT PART NO.	
1	93347-000	BODY ASSY.	1220-R	93347-206	
	93354-000		1226-SM	93354-206	
2	90011-000	CATCH – MAGNET ONE	1220-R	90011-000	
	90916-000		1226-SM	90916-000	
3	92266-000	HARDWARE SET	1220-R 1226-SM	92266-000	
4	90961-000	SHELF	1220-R	ONE	90961-000
	93350-000			SET OF 2	93350-000
	90941-000		1226-SM	ONE	90941-000
	93368-000			SET OF 4	93368-000
5	93335-000	MOUNTING BRKT (1)	1220-R	93335-206	
	93357-000		1226-SM	93357-206	
6	93332-000	DOOR BACK L or R	1026-BR 1026-GW	93332-206	
7	93319-000	MIRROR BACK – CENTER	1026-BR 1026-GW	93319-206	
8	92987-000	HINGE ASSY. (1) 4-REQUIRED	1026-BR 1026-GW	92987-000	
9	93464-000	FRAME ASSY. – DOOR L or R	1026-BR	93464-A75	
	93329-000		1026-GW	93329-A87	
10	93333-000	MIRROR – DOOR 9 3/8" X 23 3/4"	1026-BR 1026-GW	93333-000	
11	93460-000	TRIM – CENTER MIRROR Top or Bottom	1026-BR	93460-A75	
	93328-000		1026-GW	93328-A87	
12	93320-000	MIRROR – CENTER 11 7/8" X 23 1/4"	1026-BR 1026-GW	93320-000	
13	93330-000	DOOR ASSY. REF. NOS 6, 9, & 10	1026-BR	93330-000	
	93331-000		1026-GW	93331-000	

NuTone

Order Parts From:  
Parts Department c/o NuTone  
P.O. Box 27 • Cincinnati, Ohio 45227

NOTE: Always order by  
current part number.