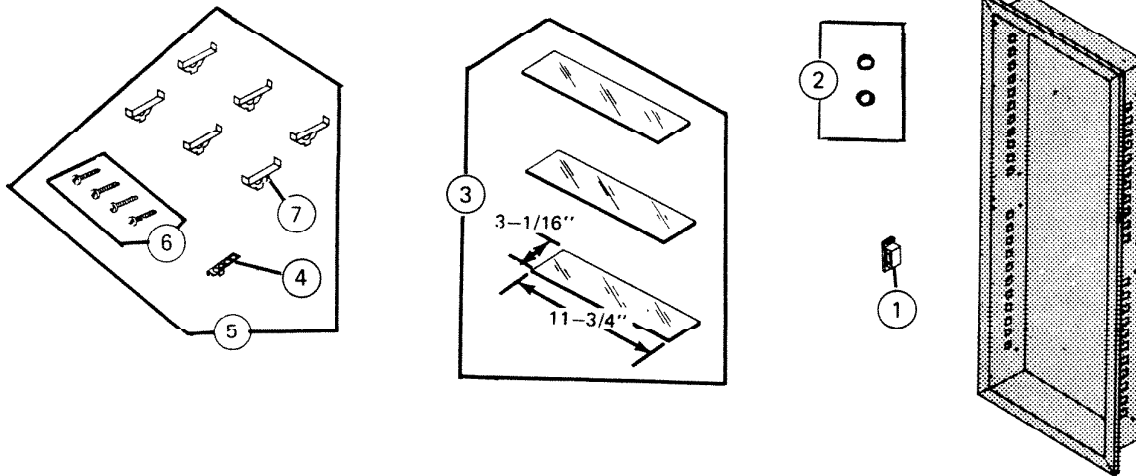


PARTS LIST

EFFECTIVE DATE	MODEL	PRODUCT GROUP
APRIL 1987	1200R REVISED	BATH CABINET



REF.	ORIGINAL PART NO.	* PART DESCRIPTION	MODEL USED ON	CURRENT REPLACEMENT PART NO.
1	90011	CATCH – MAGNETIC	1200R	90011-000
2	2093A	BUMPER SET (2)	1200R	2093A-000
3	90961	SHELF	1	90961-000
	90960		SET OF 3	90960-000
4	92264	TOOTHBRUSH HOLDER	1200R	92264-000
5	90942	HARDWARE SET	1200R	90942-000
6	69781	MOUNTING SCREW SET	1200R	69781-000
7	90589	SHELF SUPPORT (1) – 6 REQUIRED	1200R	90589-000

NuTone

↑
NOTE: Always order by current part number.