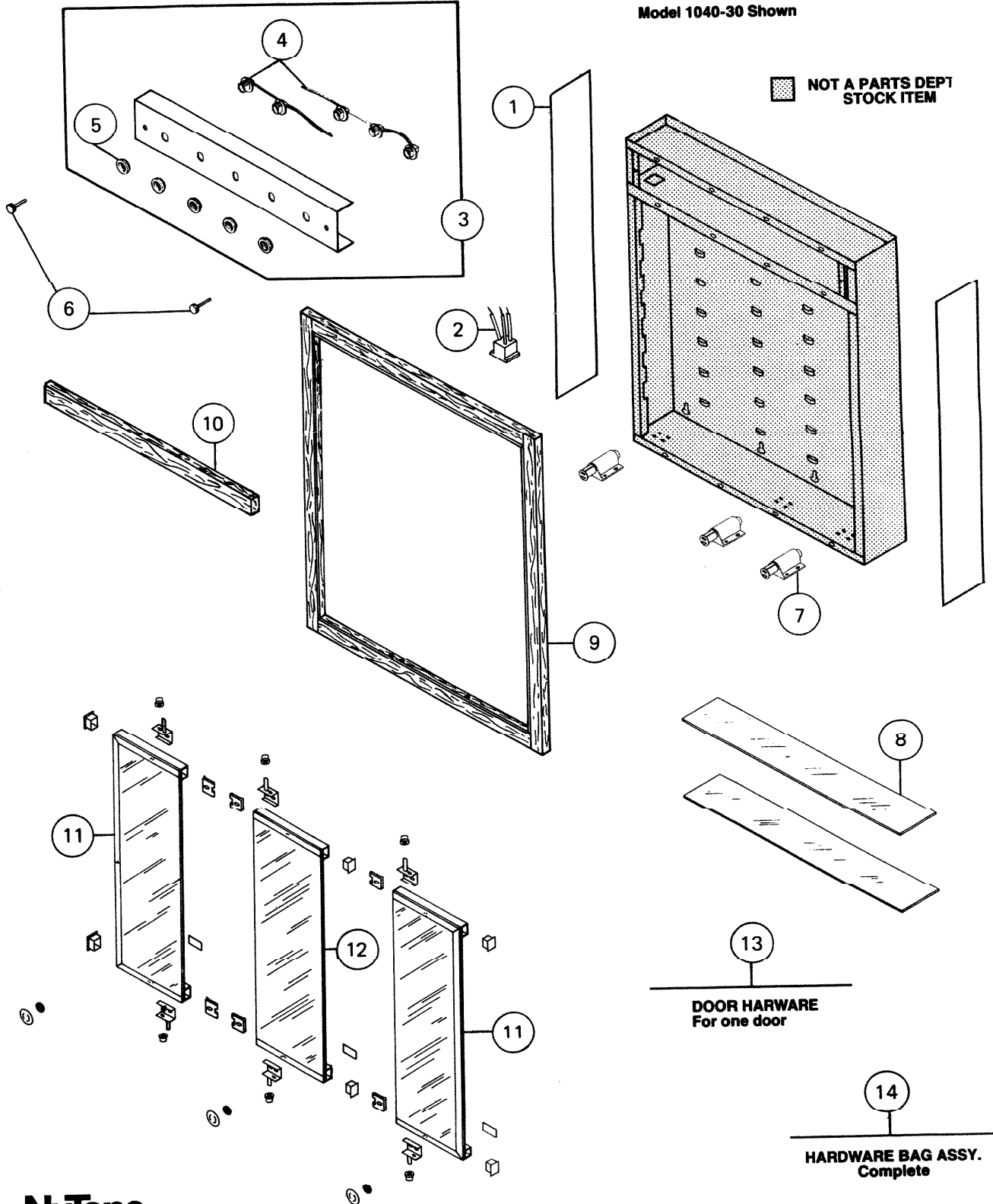


PARTS LIST

EFFECTIVE DATE	MODEL	PRODUCT GROUP
APRIL 1991	1040-24 1040-30 1040-36 1040-48 NEW	BATH CABINET

Model 1040-30 Shown



REF.	ORIGINAL PART NO.	*PART DESCRIPTION			MODEL USED ON	CURRENT REPLACEMENT PART NO.
1	M2031	VINYL TRIM SET—(2) Pieces			All Models	0945A-000
2	97232	PLUG-RECEPTACLE—Early Models Only				97232-000
3	M2908	FIXTURE COVER ASSEMBLY		4-Socket	1040-24	M2908-000
	M2265			5-Socket	1040-30	M2265-000
	M2266			6-Socket	1040-36	M2266-000
	M2910			8-Socket	1040-48	M2910-000
4	M2101	WIRE HARNESS— W/Sockets	2 Socket	2 Req.	1040-24	M2101-000
				1 Req.	1040-30	M2101-000
	M2102		3 Socket	3 Req.		M2102-000
				2 Req.	1040-36	M2102-000
M2525	4 Socket	2 Req.	1040-48	M2525-000		
5	M2136	FINISHING NUT			All Models	M2136-039
6	M2173	SCREW SET (2)—#8 x 32 x 3/8 W/Knurled HD.				0946A-000
7	M2098	MAGNETIC CATCH (1)—3 Req.—SEE NOTE*				M2098-000
8	M2486	SHELF	23 ¹ / ₁₆ x 3 ¹⁵ / ₁₆ "	One	1040-24	M2486-000
	M2848			Set of Two		M2848-000
	M2073	SHELF	29 ¹ / ₁₆ x 3 ¹⁵ / ₁₆ "	One	1040-30	M2073-000
	M2254			Set of Two		M2254-000
	M2074	SHELF	35 ¹ / ₁₆ x 3 ¹⁵ / ₁₆ "	One	1040-36	M2074-000
	M2255			Set of Two		M2255-000
	M3026	SHELF	47 ¹ / ₁₆ x 3 ¹⁵ / ₁₆ "	One	1040-48	M3026-000
	M2849			Set of Two		M2849-000
9	M2625	FRAME			1040-24	M2625-000
	M2171				1040-30	M2171-000
	M2172				1040-36	M2172-000
	M2626				1040-48	M2626-000

↑

NOTE: Always order by current part number.

REF.	ORIGINAL PART NO.	*PART DESCRIPTION	MODEL USED ON	CURRENT REPLACEMENT PART NO.
10	M2888	CROSS BAR ASSEMBLY	1040-24	M2888-000
	M2262		1040-30	M2262-000
	M2263		1040-36	M2263-000
	M2889		1040-48	M2889-000
11	M2890	DOOR ASSEMBLY (1)—Left or Right NOTE: Door hardware, Ref. No. 13, must be ordered separately.	1040-24	M2890-000
	M2892		1040-30	M2892-000
	M2894		1040-36	M2894-000
	M2896		1040-48	M2896-000
12	M2898	DOOR ASSEMBLY (1)—Center NOTE: Door hardware, Ref. No. 13, must be ordered separately.	1040-24	M2898-000
	M2900		1040-30	M2900-000
	M2902		1040-36	M2902-000
	M2904		1040-48	M2904-000
13	0951A	DOOR HARDWARE—For One Door See NOTE**	All Models	0951A-000
14	M2911	HARDWARE BAG ASSY.—Complete See NOTE*		M2911-000

↑
NOTE: Always order by current part number.

***NOTE:** HARDWARE BAG ASSY. Complete—Ref. No. 14
Contains the following:

- (3) Magnetic Catches
- (6) Screws for Magnetic Catches
#6-20 x 1/4 Ph. Pan Hd. "AB"
- (3) Strike Plates
- (8) Mounting Screws #8 x 1 1/4 Ph. Pan Hd. "A"
- (6) Bushings
- (6) Door Back Plugs
- (6) Speed Nuts for Pivot Hinges
- (6) Hinge Screws #8-32 x 5/16 Ph. Pan Hd. "M"
- (4) Push Plates W/double-faced tape
- (2) Templates for Push Plates
- (3) Top Pivot Hinges
- (3) Bottom Pivot Hinges

****NOTE:** DOOR HARDWARE—For one door—Ref. No. 13
Contains the following:

- (2) Bushings
- (2) Door Back Plugs
- (2) Speed Nuts—for Pivot Hinges
- (2) Hinge Screws #8-32 x 5/16 Ph. Pan Hd. "M"
- (1) Push Plate
- (1) Double-Faced Tape—for Push Plate
- (1) Templeplate—for Push Plate
- (1) Top Pivot Hinge
- (1) Bottom Pivot Hinge